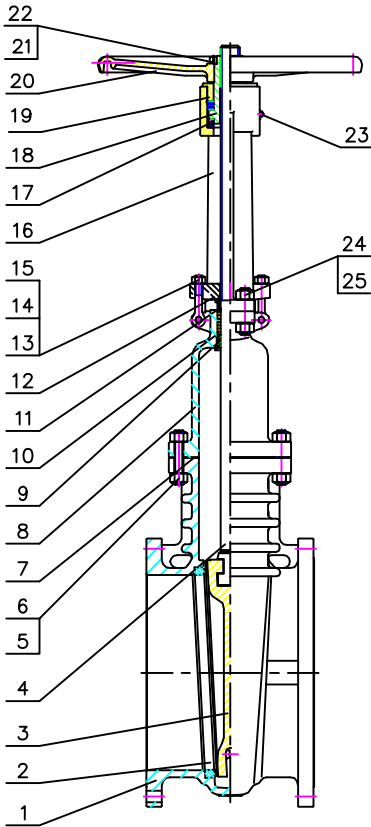


API GATE VALVE 150LB

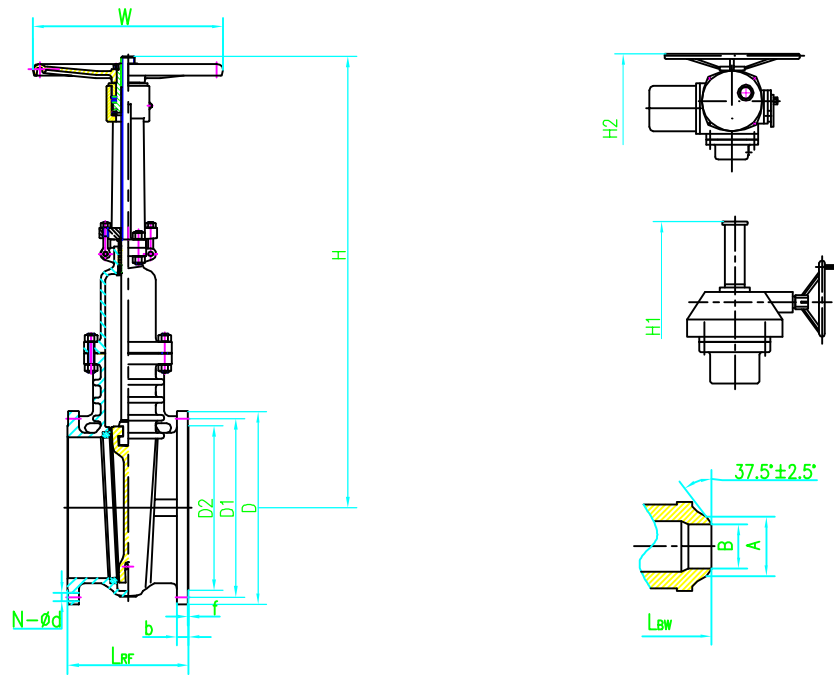


Standard and Specification/标准与规范					
Design standard 设计标准	Face to face 结构长度	Flanges connection 法兰连接	Welding connection 对焊端连接	Testing standard 试验与检验	Pressure and Temp./压力-温度等级
API 6D ASME B16.34	ANSI B16.10	ASME B16.5	ASME B16.25	API 598	ANSI B16.34

Performance specification/性能规范						
LB 公称压力	Shell test/ 壳体试(MPa)	Sealing test/ 密封试验(MPa)	Back seal test/ 上密封试验(MPa)	Gas seal test/ 气封试验(MPa)	Temperture/ 适用温度(℃)	Medium/ 使用介质
150LB	3.0	2.2	2.2	0.6	-29℃~425℃	Water, Steam, Oil, Gas, etc./ 水、蒸气、油品等

NO./序号	Name/名称	Material/材料				
		WCB	CF8	CF8M	CF3	CF3M
1	Body/阀体	A216 WCB	A351 CF8	A351 CF8M	A351 CF3	A351 CF3M
2	Seat/阀座	A105+13Cr	NOUMENON	NOUMENON	NOUMENON	NOUMENON
3	Disc/阀板	A216 WCB+13Cr	A351 CF8	A351 CF8M	A351 CF3	A351 CF3M
4	Stem/阀杆	A182 F6a	A182 F304	A182 F316	A182 F304L	A182 F316L
5	Bolts/双头螺栓	A193 B7	A193 B8	A193 B8	A193 B8	A193 B8
6	Nuts/六角螺母	A194 2H	A194 8	A194 8	A194 8	A194 8
7	Gasket/复合垫片	SS304+GRAPHITE	SS304+GRAPHITE	SS316+GRAPHITE	304L+GRAPHITE	316L+GRAPHITE
8	Bonnet/阀盖	A216 WCB	A351 CF8	A351 CF8M	A351 CF3	A351 CF3M
9	Back seat/上密封座	A276 420	NOUMENON	NOUMENON	NOUMENON	NOUMENON
10	Packing/填料	GRAPHITE	GRAPHITE	GRAPHITE	GRAPHITE	GRAPHITE
11	Bland/填料压套	A276 420	A276 304	A276 316	A276 304L	A276 316L
12	Cover/填料压盖	A216 WCB	A351 CF8	A351 CF8	A351 CF8	A351 CF8
13	Pin/轴销	A276 420	A276 304	A276 304	A276 304	A276 304
14	Bolts/活节螺栓	A276 420	A276 304	A276 304	A276 304	A276 304
15	Nuts/六角螺母	A194 2H	A194 8	A194 8	A194 8	A194 8
16	Yoke/支架	A216 WCB	A351 CF8	A351 CF8M	A351 CF3	A351 CF3M
17	Thrust bearing/推力轴承	Bearing Steel	Bearing Steel	Bearing Steel	Bearing Steel	Bearing Steel
18	Nut/阀杆螺母	A439 D-2	A439 D-2	A439 D-2	A439 D-2	A439 D-2
19	Bearing Cover/轴承压盖	1035	1035	1035	1035	1035
20	Handwheel/手轮	DUCTILE IRON	DUCTILE IRON	DUCTILE IRON	DUCTILE IRON	DUCTILE IRON
21	Lock nut/锁紧螺母	A194 2H	A194 8	A194 8	A194 8	A194 8
22	Rivet/螺钉	A29-1035	A182 F304	A182 F304	A182 F304	A182 F304
23	Oil filler/注油杯	Bronze	Bronze	Bronze	Bronze	Bronze
24	Bolts/双头螺栓	A193 B7	A193 B8	A193 B8	A193 B8	A193 B8
25	Nuts/六角螺母	A194 2H	A194 8	A194 8	A194 8	A194 8

API GATE VALVE 150LB



Z40(H, W, Y)-150LB

in	DN	L _{RF}	L _{BW}	D	D1	D2	b	f	n-φ	A	B	H	W
2	50	178	178	150	120.5	92	14	2	4-19	60	52	325	200
2 1/2	65	190	190	180	139.5	105	16	2	4-19	75	63	350	200
3	80	203	203	190	152.5	127	17.5	2	4-19	91	78	380	250
4	100	229	229	230	190.5	157	22	2	8-19	117	102	460	250
5	125	254	254	255	216	186	22	2	8-22	144	128	630	250
6	150	267	267	280	241.5	216	24	2	8-22	172	154	652	300
8	200	292	292	345	298.5	270	27	2	8-22	223	203	765	350
10	250	330	330	405	362	324	28.6	2	12-25	278	255	895	400
12	300	356	356	485	432	381	30	2	12-25	329	305	1080	450
14	350	381	381	535	476	413	33.4	2	12-29	362	337	1295	500
16	400	406	406	595	540	470	35	2	16-29	413	387	1435	600
18	450	432	432	635	578	533	38	2	16-32	464	438	1625	600
20	500	457	457	700	635	584	41	2	20-32	516	489	1830	650
24	600	508	508	815	749.5	692	46	2	20-35	619	591	2175	700
26	650	559	559	786	744	711	41	2	36-22	670	635	2235	750
28	700	610	610	837	795	762	44.5	2	40-22	721	686	2310	800
30	750	610	610	888	846	813	44.5	2	44-22	772	737	2695	850