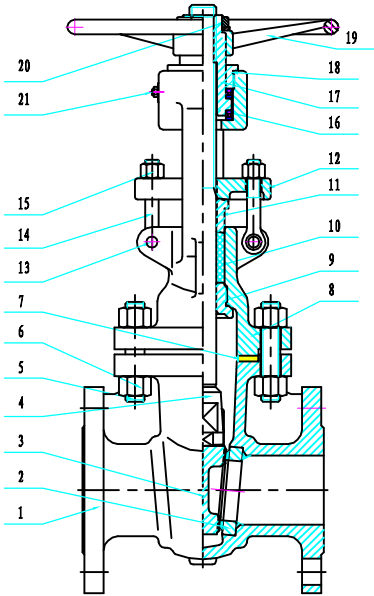


## API GATE VALVE 300LB

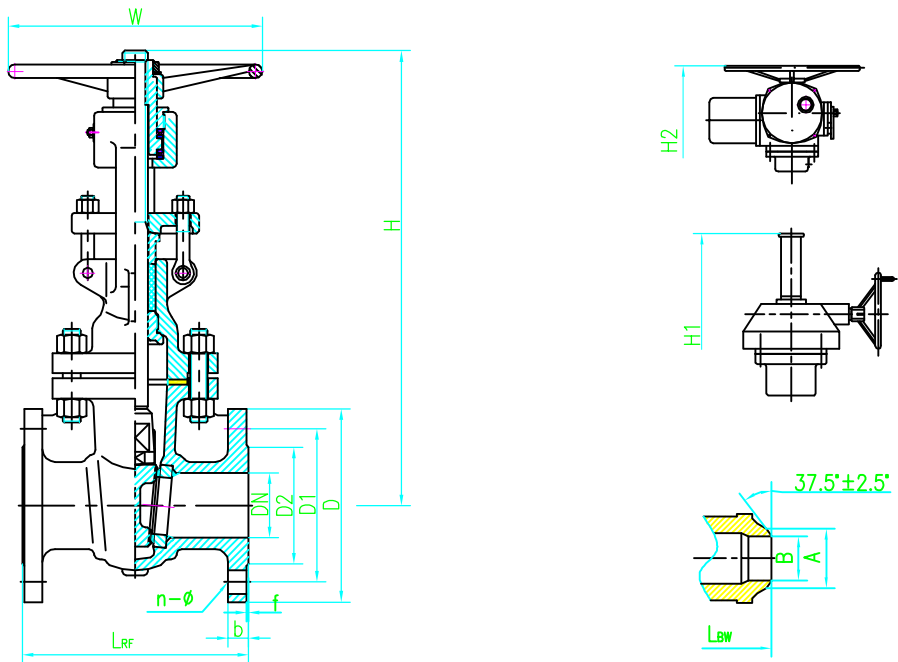


Standard and Specification/标准与规范					
Design standard 设计标准	Face to face 结构长度	Flanges connection 法兰连接	Welding connection 对焊端连接	Testing standard 试验与检验	Pressure and Temp./压力-温度等级
API 6D ASME B16.34	ANSI B16.10	ASME B16.5	ASME B16.25	API 598	ANSI B16.34

Performance specification/性能规范						
LB 公称压力	Shell test/ 壳体试(MPa)	Sealing test/ 密封试验(MPa)	Back seal test/ 上密封试验(MPa)	Gas seal test/ 气封试验(MPa)	Temperture/ 适用温度(℃)	Medium/ 使用介质
300LB	7.5	5.5	5.5	0.6	-29℃~425℃	Water, Steam, Oil, Gas, etc./ 水、蒸气、油品等

NO./序号	Name/名称	Material/材料				
		WCB	CF8	CF8M	CF3	CF3M
1	Body/阀体	A216 WCB	A351 CF8	A351 CF8M	A351 CF3	A351 CF3M
2	Seat/阀座	A105+13Cr	NOUMENON	NOUMENON	NOUMENON	NOUMENON
3	Disc/阀板	A216 WCB+13Cr	A351 CF8	A351 CF8M	A351 CF3	A351 CF3M
4	Stem/阀杆	A182 F6a	A182 F304	A182 F316	A182 F304L	A182 F316L
5	Boilts/双头螺栓	A193 B7	A193 B8	A193 B8	A193 B8	A193 B8
6	Nuts/六角螺母	A194 2H	A194 8	A194 8	A194 8	A194 8
7	Gasket/复合垫片	SS304+GRAPHITE	SS304+GRAPHITE	SS316+GRAPHITE	304L+GRAPHITE	316L+GRAPHITE
8	Bonnet/阀盖	A216 WCB	A351 CF8	A351 CF8M	A351 CF3	A351 CF3M
9	Back seat/上密封座	A276 420	NOUMENON	NOUMENON	NOUMENON	NOUMENON
10	Packing/填料	GRAPHITE	GRAPHITE	GRAPHITE	GRAPHITE	GRAPHITE
11	Bland/填料压套	A276 420	A276 304	A276 316	A276 304L	A276 316L
12	Cover/填料压盖	A216 WCB	A351 CF8	A351 CF8	A351 CF8	A351 CF8
13	Pin/轴销	A276 420	A276 304	A276 304	A276 304	A276 304
14	Boilts/活节螺栓	A276 420	A276 304	A276 304	A276 304	A276 304
15	Nuts/六角螺母	A194 2H	A194 8	A194 8	A194 8	A194 8
16	Thrust bearing/推力轴承	Bearing Steel	Bearing Steel	Bearing Steel	Bearing Steel	Bearing Steel
17	Nut/阀杆螺母	A439 D-2	A439 D-2	A439 D-2	A439 D-2	A439 D-2
18	Bearing Cover/轴承压盖	1035	1035	1035	1035	1035
19	Handwheel/手轮	DUCTILE IRON	DUCTILE IRON	DUCTILE IRON	DUCTILE IRON	DUCTILE IRON
20	Lock nut/锁紧螺母	A194 2H	A194 8	A194 8	A194 8	A194 8
21	Oil filler/注油杯	Bronze	Bronze	Bronze	Bronze	Bronze

## API GATE VALVE 300LB



Z40(H, W, Y)-300LB

in	DN	L <sub>RF</sub>	L <sub>BW</sub>	D	D1	D2	b	f	n-φ	A	B	H	W
2	50	216	216	165	127.0	92	21	2	8-19	60	52	330	200
2 1/2	65	241	241	191	149.4	105	24	2	8-22	75	63	370	240
3	80	282	282	210	168.1	127	27	2	8-22	91	78	395	300
4	100	305	305	255	200.2	157	30	2	8-22	117	102	470	320
5	125	381	381	280	235.0	186	33	2	8-22	144	128	660	350
6	150	403	403	320	269.7	216	35	2	12-22	172	154	715	400
8	200	419	419	380	330.2	270	40	2	12-25	223	203	815	400
10	250	457	457	445	387.4	324	46	2	16-29	278	255	1005	450
12	300	502	502	520	450.9	381	49	2	16-32	329	305	1135	500
14	350	762	762	585	514.5	413	52	2	20-32	362	337	1490	550
16	400	838	838	650	571.5	470	56	2	20-35	413	387	1580	600
18	450	914	914	710	628.5	533	59	2	24-35	464	438	2020	650
20	500	991	991	775	686	584	62	2	24-35	516	489	2230	700
24	600	1143	1143	915	813	692	68	2	24-41	619	591	2650	750
26	650	1245	1245	867	803	737	89	2	32-35	670	635	3220	-
28	700	1346	1346	921	857	787	89	2	36-35	721	686	3380	-
30	750	1397	1397	991	921	845	94	2	36-38	772	737	3530	-