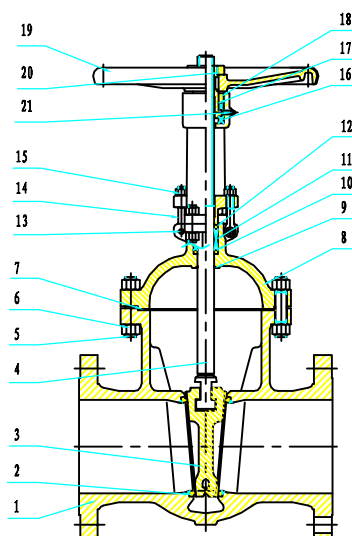


## API GATE VALVE 900LB

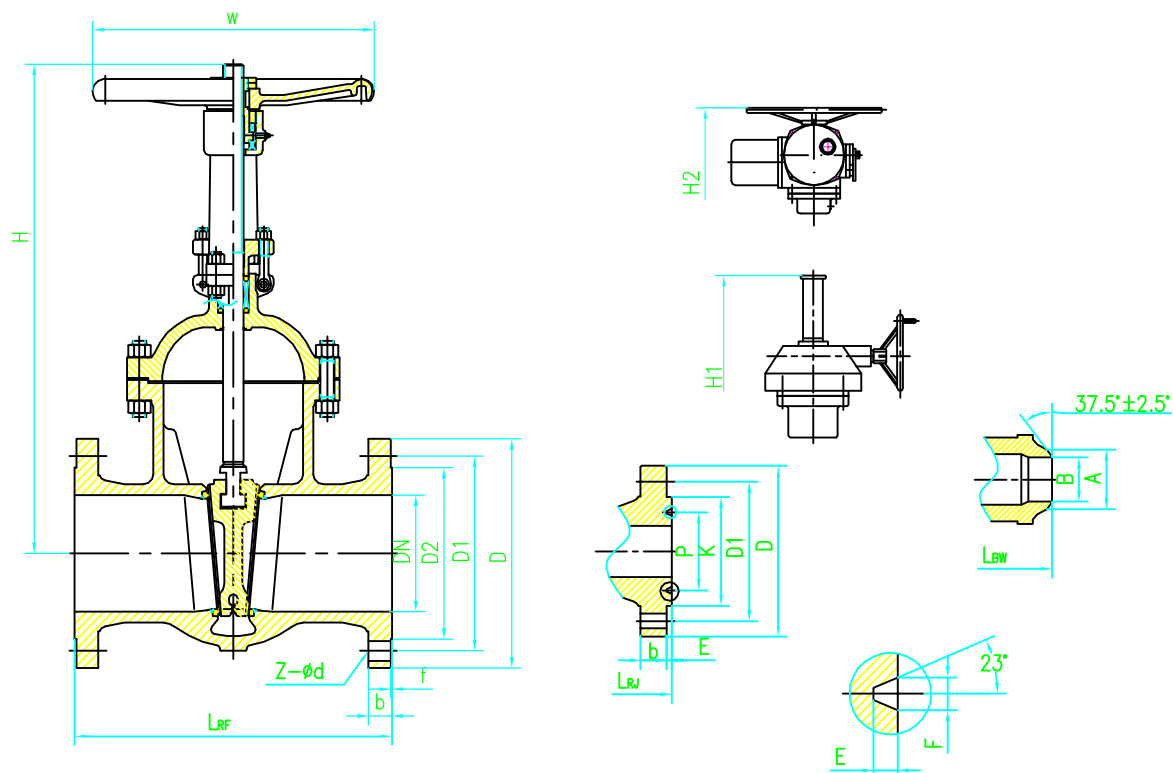


Standard and Specification/标准与规范					
Design standard 设计标准	Face to face 结构长度	Flanges connection 法兰连接	Welding connection 对焊端连接	Testing standard 试验与检验	Pressure and Temp./压力-温度等级
API 6D ASME B16.34	ANSI B16.10	ASME B16.5	ASME B16.25	API 598	ANSI B16.34

Performance specification/性能规范						
LB 公称压力	Shell test/ 壳体试(MPa)	Sealing test/ 密封试验(MPa)	Back seal test/ 上密封试验(MPa)	Gas seal test/ 气封试验(MPa)	Temperture/ 适用温度(℃)	Medium/ 使用介质
900LB	22.5	16.5	16.5	0.6	-29℃~425℃	Water, Steam, Oil, Gas, etc./ 水、蒸气、油品等

NO./序号	Name/名称	Material/材料				
		WCB	CF8	CF8M	CF3	CF3M
1	Body/阀体	A216 WCB	A351 CF8	A351 CF8M	A351 CF3	A351 CF3M
2	Seat/阀座	A105+13Cr	NOUMENON	NOUMENON	NOUMENON	NOUMENON
3	Disc/阀板	A216 WCB+13Cr	A351 CF8	A351 CF8M	A351 CF3	A351 CF3M
4	Stem/阀杆	A182 F6a	A182 F304	A182 F316	A182 F304L	A182 F316L
5	Boilts/双头螺栓	A193 B7	A193 B8	A193 B8	A193 B8	A193 B8
6	Nuts/六角螺母	A194 2H	A194 8	A194 8	A194 8	A194 8
7	Gasket/复合垫片	SS304+GRAPHITE	SS304+GRAPHITE	SS316+GRAPHITE	304L+GRAPHITE	316L+GRAPHITE
8	Bonnet/阀盖	A216 WCB	A351 CF8	A351 CF8M	A351 CF3	A351 CF3M
9	Back seat/上密封座	A276 420	NOUMENON	NOUMENON	NOUMENON	NOUMENON
10	Packing/填料	GRAPHITE	GRAPHITE	GRAPHITE	GRAPHITE	GRAPHITE
11	Bland/填料压套	A276 420	A276 304	A276 316	A276 304L	A276 316L
12	Cover/填料压盖	A216 WCB	A351 CF8	A351 CF8	A351 CF8	A351 CF8
13	Pin/轴销	A276 420	A276 304	A276 304	A276 304	A276 304
14	Boilts/活节螺栓	A276 420	A276 304	A276 304	A276 304	A276 304
15	Nuts/六角螺母	A194 2H	A194 8	A194 8	A194 8	A194 8
16	Thrust bearing/推力轴承	Bearing Steel	Bearing Steel	Bearing Steel	Bearing Steel	Bearing Steel
17	Nut/阀杆螺母	A439 D-2	A439 D-2	A439 D-2	A439 D-2	A439 D-2
18	Bearing Cover轴承压盖	1035	1035	1035	1035	1035
19	Handwheel/手轮	DUCTILE IRON	DUCTILE IRON	DUCTILE IRON	DUCTILE IRON	DUCTILE IRON
20	Lock nut/锁紧螺母	A194 2H	A194 8	A194 8	A194 8	A194 8
21	Oil filler/注油杯	Bronze	Bronze	Bronze	Bronze	Bronze

## API GATE VALVE 900LB



Z40(H. W. Y)-900LB

in	DN	L <sub>RF</sub>	L <sub>BW</sub>	L <sub>RJ</sub>	D	D1	D2	b	f	n-φ	K	P	E	F	A	B	H	W
2	50	368	368	371	215	165.1	92	38	7	8-25	124	95.25	7.92	11.91	60	49	520	300
2 1/2	65	419	419	422	245	190.5	105	41	7	8-29	137	107.95	7.92	11.91	75	59	585	350
3	80	381	381	384	340	190.5	127	38	7	8-25	156	123.83	7.92	11.91	91	74	650	400
4	100	457	457	460	290	235.0	157	45	7	8-32	181	149.23	7.92	11.91	117	97	750	400
5	125	559	559	562	350	279.4	186	51	7	8-35	216	180.98	7.92	11.91	144	122	780	450
6	150	610	610	613	380	317.5	216	56	7	12-32	241	211.12	7.92	11.91	172	146	800	500
8	200	737	737	740	470	393.7	270	64	7	12-38	308	269.88	7.92	11.91	223	194	940	600
10	250	838	838	841	545	470.0	324	70	7	16-38	362	323.85	7.92	11.91	278	243	1130	600
12	300	965	965	968	610	533.5	381	79	7	20-38	419	381	7.92	11.91	329	298	1340	700