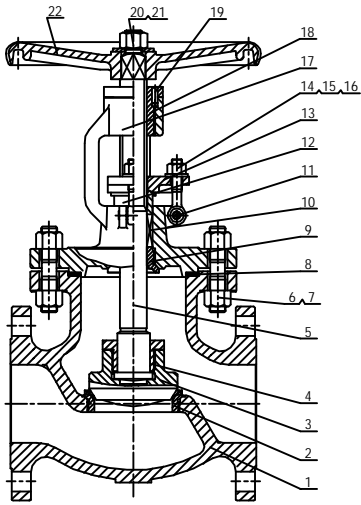


API GLOBE VALVE 300LB

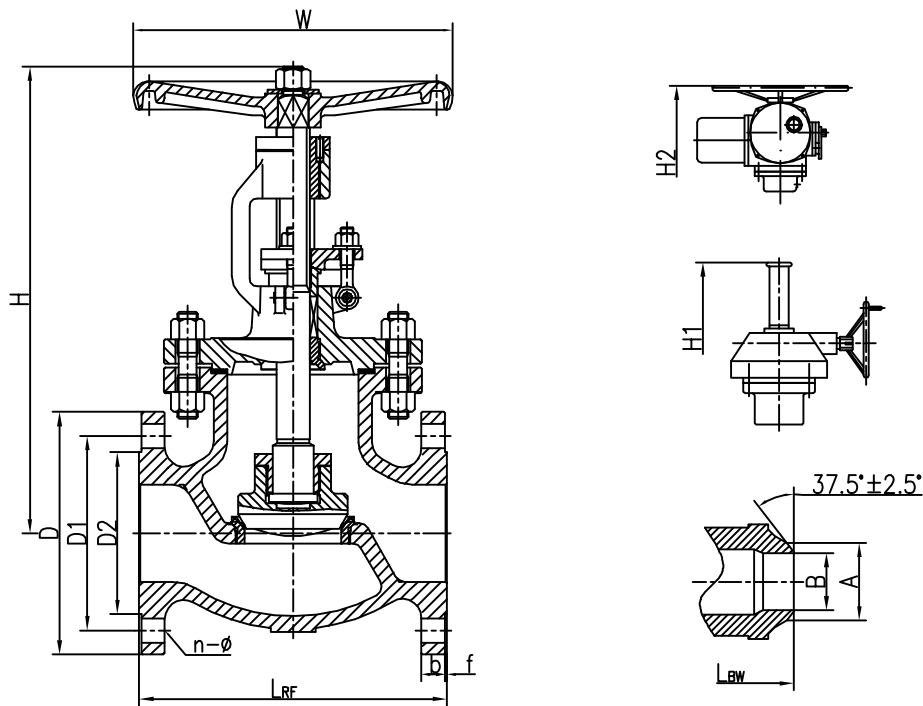


Standard and Specification/标准与规范					
Design standard 设计标准	Face to face 结构长度	Flanges connection 法兰连接	Welding connection 对焊端连接	Testing standard 试验与检验	Pressure and Temp./压力-温度等级
API 6D ASME B16.34	ANSI B16.10	ASME B16.5	ASME B16.25	API 598	ANSI B16.34

Performance specification/性能规范						
LB 公称压力	Shell test 壳体试(MPa)	Sealing test 密封试验(MPa)	Back seal test 上密 封试验(MPa)	Gas seal test 气封试验(MPa)	Temperature 适用温度(℃)	Medium 使用介质
300LB	7.5	5.5	5.5	0.6	-29℃~425℃	Water, Steam, Oil, Gas.etc./ 水、蒸气、油品等

NO./序号	Name/名称	Material/材料				
		WCB	CF8	CF8M	CF3	CF3M
1	Body/阀体	A216 WCB	A351 CF8	A351 CF8M	A351 CF3	A351 CF3M
2	Seat/阀座	A105+13Cr	NOUMENON	NOUMENON	NOUMENON	NOUMENON
3	Disc/阀瓣	A216 WCB+13Cr	A351 CF8	A351 CF8M	A351 CF3	A351 CF3M
4	Disc cover/阀瓣盖	A105	A182 F304	A182 F316	A182 F304L	A182 F316L
5	Stem/阀杆	A182 F6a	A182 F304	A182 F316	A182 F304L	A182 F316L
6	Bolts/ 双头螺栓	A193 B7	A193 B8	A193 B8	A193 B8	A193 B8
7	Nuts/六角螺母	A194 2H	A194 8	A194 8	A194 8	A194 8
8	Gasket/复合垫片	SS304+GRAPHITE	SS304+GRAPHITE	SS316+GRAPHITE	304L+GRAPHITE	316L+GRAPHITE
9	Back seat/ 上密封座	A276 420	NOUMENON	NOUMENON	NOUMENON	NOUMENON
10	Packing/填料	GRAPHITE	GRAPHITE	GRAPHITE	GRAPHITE	GRAPHITE
11	Pin/轴销	A276 420	A276 304	A276 304	A276 304	A276 304
12	Gland/填料压套	A276 420	A276 304	A276 316	A276 304L	A276 316L
13	Cover/填料压盖	A216 WCB	A351 CF8	A351 CF8	A351 CF8	A351 CF8
14	Bolts/ 活节螺栓	A193 B7	A193 B8	A193 B8	A193 B8	A193 B8
15	Nuts/六角螺母	A194 2H	A194 8	A194 8	A194 8	A194 8
16	Gasket/垫片	A29-1035	A182 F304	A182 F304	A182 F304	A182 F304
17	Bonnet/阀盖	A216 WCB	A351 CF8	A351 CF8M	A351 CF3	A351 CF3M
18	Nut/阀杆螺母	A439 D-2	A439 D-2	A439 D-2	A439 D-2	A439 D-2
19	Rivet/铆钉	A29-1035	A182 F304	A182 F304	A182 F304	A182 F304
20	Gasket/垫片	A29-1035	A182 F304	A182 F304	A182 F304	A182 F304
21	Nut/六角锁紧螺母	A194 2H	A194 8	A194 8	A194 8	A194 8
22	Handwheel/手轮	DUCTILE IRON	DUCTILE IRON	DUCTILE IRON	DUCTILE IRON	DUCTILE IRON
Temperature/适用温度		-29~425℃	-29~538℃	-29~538℃	-29~538℃	-29~538℃

API GLOBE VALVE 150LB



J41(H, W, Y)-150LB

in	DN	L _{RF}	L _{BW}	D	D1	D2	b	f	n-φ	A	B	H	W
2	50	203	203	150	120.5	92	14	2	4-19	60	52	368	200
2 1/2	65	216	216	180	139.5	105	16	2	4-19	75	63	387	200
3	80	241	241	190	152.5	127	17.5	2	4-19	91	78	410	250
4	100	292	292	230	190.5	157	22	2	8-19	117	102	454	250
5	125	356	356	255	216	186	22	2	8-22	144	128	455	355
6	150	400	400	280	241.5	216	24	2	8-22	172	154	540	355
8	200	495	495	345	298.5	270	27	2	8-22	223	203	650	450
10	250	622	622	405	362	324	28.6	2	12-25	278	255	800	450
12	300	698	698	485	432	381	30	2	12-25	329	305	1230	500
14	350	787	787	535	476	413	33.4	2	12-29	362	337	1450	600
16	400	914	914	595	540	470	35	2	16-29	413	387	1645	600