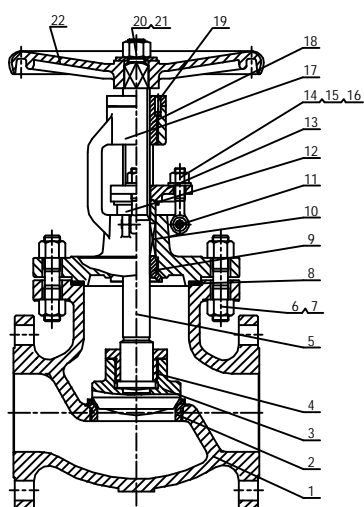


# API GLOBE VALVE 900LB

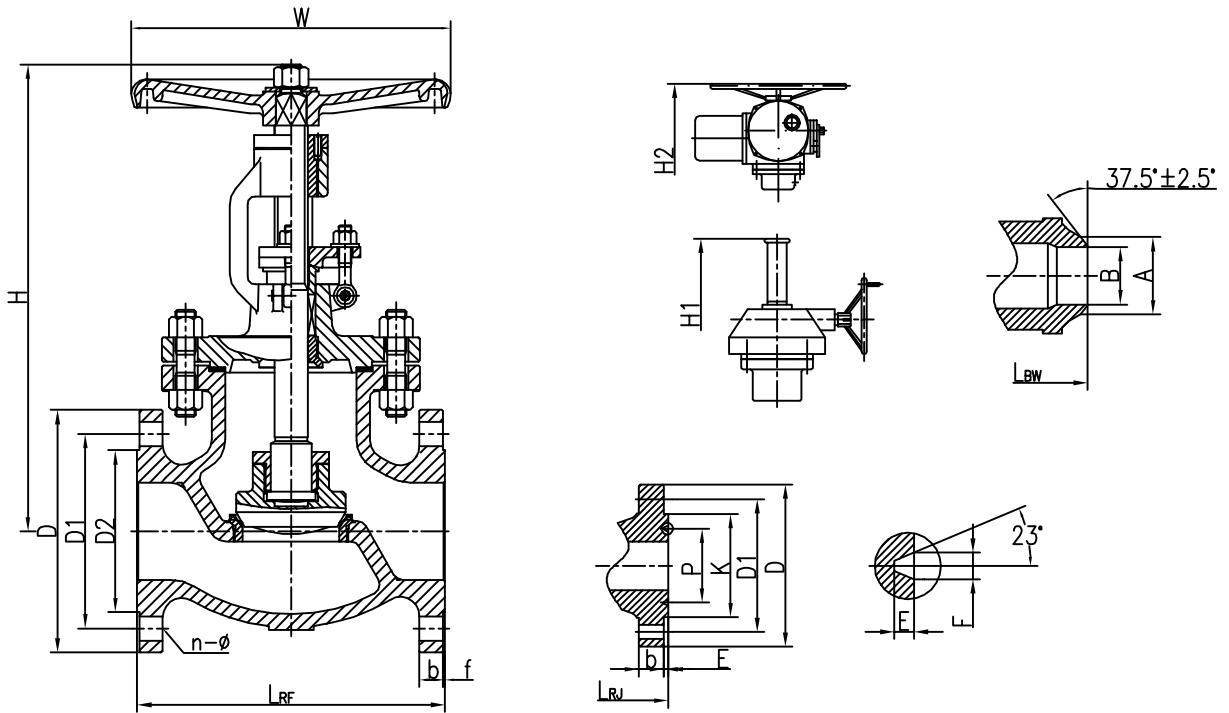


Standard and Specification/标准与规范					
Design standard 设计标准	Face to face 结构长度	Flanges connection 法兰连接	Welding connection 对焊端连接	Testing standard 试验与检验	Pressure and Temp./压力-温度等级
API 6D ASME B16.34	ANSI B16.10	ASME B16.5	ASME B16.25	API 598	ANSI B16.34

Performance specification/性能规范						
LB 公称压力	Shell test 壳体试(MPa)	Sealing test 密封试验(MPa)	Back seal test 上密 封试验(MPa)	Gas seal test 气封试验(MPa)	Temperature 适用温度(℃)	Medium 使用介质
900LB	22.5	16.5	16.5	0.6	-29℃~425℃	Water, Steam, Oil, Gas.etc./ 水、蒸气、油品等

NO./序号	Name/名称	Material/材料				
		WCB	CF8	CF8M	CF3	CF3M
1	Body/阀体	A216 WCB	A351 CF8	A351 CF8M	A351 CF3	A351 CF3M
2	Seat/阀座	A105+13Cr	NOUMENON	NOUMENON	NOUMENON	NOUMENON
3	Disc/阀瓣	A216 WCB+13Cr	A351 CF8	A351 CF8M	A351 CF3	A351 CF3M
4	Disc cover/阀瓣盖	A105	A182 F304	A182 F316	A182 F304L	A182 F316L
5	Stem/阀杆	A182 F6a	A182 F304	A182 F316	A182 F304L	A182 F316L
6	Bolts/ 双头螺栓	A193 B7	A193 B8	A193 B8	A193 B8	A193 B8
7	Nuts/六角螺母	A194 2H	A194 8	A194 8	A194 8	A194 8
8	Gasket/复合垫片	SS304+GRAPHITE	SS304+GRAPHITE	SS316+GRAPHITE	304L+GRAPHITE	316L+GRAPHITE
9	Back seat/ 上密封座	A276 420	NOUMENON	NOUMENON	NOUMENON	NOUMENON
10	Packing/填料	GRAPHITE	GRAPHITE	GRAPHITE	GRAPHITE	GRAPHITE
11	Pin/轴销	A276 420	A276 304	A276 304	A276 304	A276 304
12	Gland/填料压套	A276 420	A276 304	A276 316	A276 304L	A276 316L
13	Cover/填料压盖	A216 WCB	A351 CF8	A351 CF8	A351 CF8	A351 CF8
14	Bolts/ 活节螺栓	A193 B7	A193 B8	A193 B8	A193 B8	A193 B8
15	Nuts/六角螺母	A194 2H	A194 8	A194 8	A194 8	A194 8
16	Gasket/垫片	A29-1035	A182 F304	A182 F304	A182 F304	A182 F304
17	Bonnet/阀盖	A216 WCB	A351 CF8	A351 CF8M	A351 CF3	A351 CF3M
18	Nut/阀杆螺母	A439 D-2	A439 D-2	A439 D-2	A439 D-2	A439 D-2
19	Rivet/铆钉	A29-1035	A182 F304	A182 F304	A182 F304	A182 F304
20	Gasket/垫片	A29-1035	A182 F304	A182 F304	A182 F304	A182 F304
21	Nut/六角锁紧螺母	A194 2H	A194 8	A194 8	A194 8	A194 8
22	Handwheel/手轮	DUCTILE IRON	DUCTILE IRON	DUCTILE IRON	DUCTILE IRON	DUCTILE IRON
Temperature/适用温度		-29~425℃	-29~538℃	-29~538℃	-29~538℃	-29~538℃

## API GLOBE VALVE 900LB



J41(H, W, Y)-900LB

in	DN	L <sub>RF</sub>	L <sub>BW</sub>	L <sub>RJ</sub>	D	D1	D2	b	f	n-φ	K	P	E	F	A	B	H	W
2	50	368	368	371	215	165.1	92	38	7	8-25	124	95.25	7.92	11.91	60	49	540	320
2 1/2	65	419	419	422	245	190.5	105	41	7	8-29	137	107.95	7.92	11.91	75	59	669	400
3	80	381	381	384	340	190.5	127	38	7	8-25	156	123.83	7.92	11.91	91	74	689	450
4	100	457	457	460	290	235.0	157	45	7	8-32	181	149.23	7.92	11.91	117	97	755	500
5	125	559	559	562	350	279.4	186	51	7	8-35	216	180.98	7.92	11.91	144	122	795	500
6	150	610	610	613	380	317.5	216	56	7	12-32	241	211.12	7.92	11.91	172	146	950	600
8	200	737	737	740	470	393.7	270	64	7	12-38	308	269.88	7.92	11.91	223	194	1150	700
10	250	838	838	841	545	469.9	324	70	7	16-38	362	323.85	7.92	11.91	278	243	1350	800