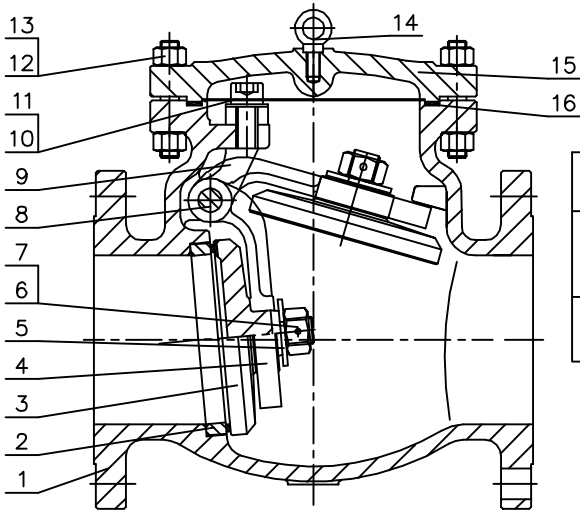


API SWING CHECK VALVE 150LB

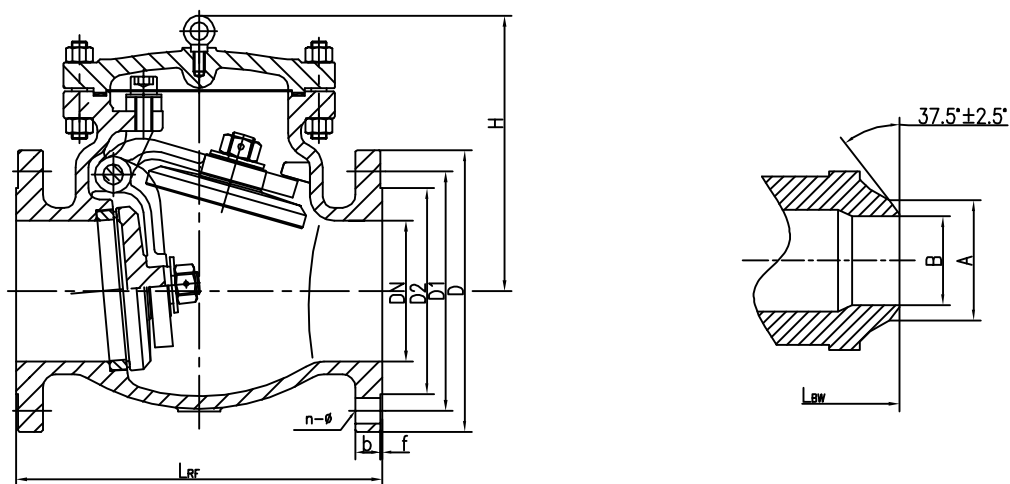


Standard and Specification/标准与规范					
Design standard 设计标准	Face to face 结构长度	Flanges connection 法兰连接	Welding connection 对焊端连接	Testing standard/ 试验与检验	Pressure and Temp./压力-温度 等级
API 6D ASME B16.34	ANSI B16.10	ASME B16.5	ASME B16.25	API 598	ANSI B16.34

Performance specification/性能规范				
LB/公称压力	Shell test/ 壳体试验(MPa)	Sealing test/ 密封试验(MPa)	Temperature/ 适用温度(℃)	Medium/ 使用介质
150LB	3.0	2.2	-29℃~425℃	Water, Steam, Oil, Gas, etc./ 水、蒸汽、油品等

NO. 序号	Name/名称	Material/材料				
		WCB	CF8	CF8M	CF3	CF3M
1	Body/阀体	A216 WCB	A351 CF8	A351 CF8M	A351 CF3	A351 CF3M
2	Seat/阀座	A105+13Cr	NOUMENON	NOUMENON	NOUMENON	NOUMENON
3	Disc/阀瓣	A216 WCB+13Cr	A351 CF8	A351 CF8M	A351 CF3	A351 CF3M
4	Hinge/摇杆	A216 WCB	A351 CF8	A351 CF8M	A351 CF3	A351 CF3M
5	Gasket/垫片	A29-1035	A182 F304	A182 F304	A182 F304	A182 F304
6	Nut/六角螺母	A194 2H	A194 8	A194 8	A194 8	A194 8
7	Rivet/开口销	A29-1035	A182 F304	A182 F304	A182 F304	A182 F304
8	Pin/销轴	A276 420	A276 304	A276 304	A276 304	A276 304
9	Yoke/支架	A216 WCB	A351 CF8	A351 CF8M	A351 CF3	A351 CF3M
10	Bolts/内六角螺栓	A193 B7	A193 B8	A193 B8	A193 B8	A193 B8
11	Gasket/垫片	A29-1035	A182 F304	A182 F304	A182 F304	A182 F304
12	Bolts/双头螺栓	A193 B7	A193 B8	A193 B8	A193 B8	A193 B8
13	Nuts/六角螺母	A194 2H	A194 8	A194 8	A194 8	A194 8
14	Bolt/吊环螺钉	A194 2H	A194 8	A194 8	A194 8	A194 8
15	Bonnet/阀盖	A216 WCB	A351 CF8	A351 CF8M	A351 CF3	A351 CF3M
16	Gasket/复合垫片	SS304+GRAPHITE	SS304+GRAPHITE	SS316+GRAPHITE	304L+GRAPHITE	316L+GRAPHITE
Temperature/适用温度		-29~425℃	-29~538℃	-29~538℃	-29~538℃	-29~538℃

API SWING CHECK VALVE 150LB



H44(H, W, Y)-150LB

in	DN	LR _F	LB _W	D	D1	D2	b	f	n-φ	A	B	H
2	50	203	203	150	120.5	92	14	2	4-19	60	52	160
2 1/2	65	216	216	180	139.5	105	16	2	4-19	75	63	180
3	80	241	241	190	152.5	127	17.5	2	4-19	91	78	190
4	100	292	292	230	190.5	157	22	2	8-19	117	102	205
5	125	330	330	255	216	186	22	2	8-22	144	128	230
6	150	356	356	280	241.5	216	24	2	8-22	172	154	258
8	200	495	495	345	298.5	270	27	2	8-22	223	203	295
10	250	622	622	405	362	324	28.6	2	12-25	278	255	355
12	300	698	698	485	432	381	30	2	12-25	329	305	395
14	350	787	787	535	476	413	33.4	2	12-29	362	337	445
16	400	864	864	595	540	470	35	2	16-29	413	387	490
18	450	978	978	635	578	533	38	2	16-32	464	438	520
20	500	978	978	700	635	584	41	2	20-32	516	489	545
24	600	1295	1295	815	749.5	692	46	2	20-35	619	591	880