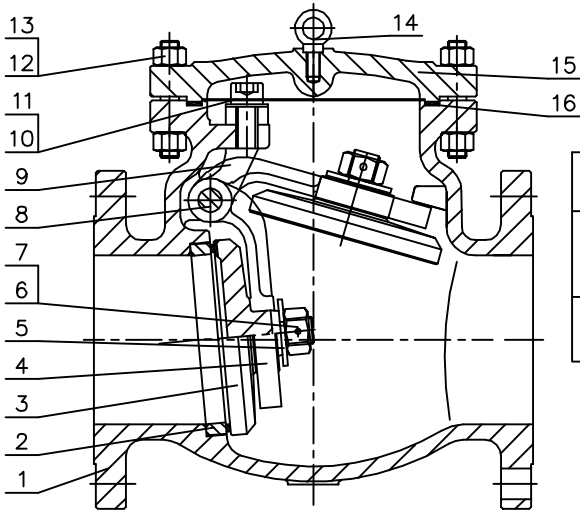


## API SWING CHECK VALVE 300LB

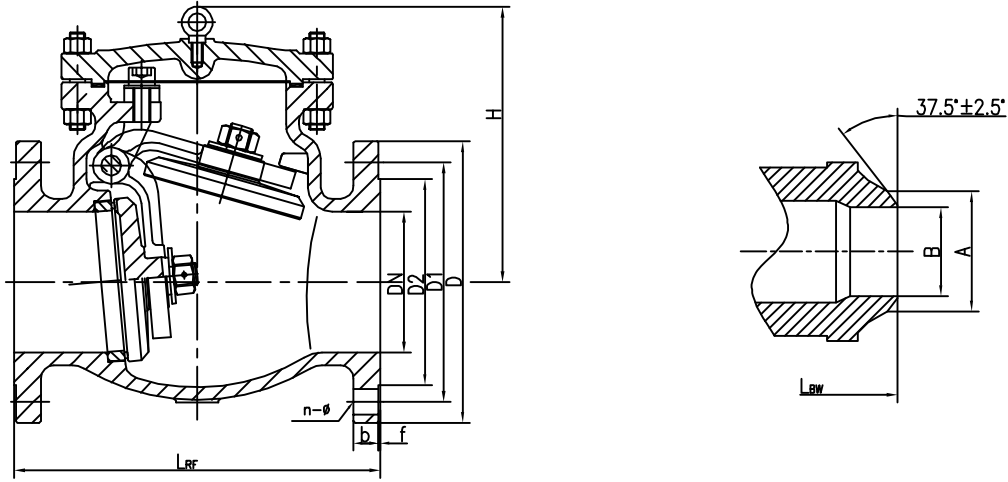


Standard and Specification/标准与规范					
Design standard 设计标准	Face to face 结构长度	Flanges connection 法兰连接	Welding connection 对焊端连接	Testing standard/ 试验与检验	Pressure and Temp./压力-温度 等级
API 6D ASME B16.34	ANSI B16.10	ASME B16.5	ASME B16.25	API 598	ANSI B16.34

Performance specification/性能规范				
LB/公称压力	Shell test/ 壳体试验(MPa)	Sealing test/ 密封试验(MPa)	Temperature/ 适用温度(℃)	Medium/ 使用介质
300LB	7.5	5.5	-29℃~425℃	Water, Steam, Oil, Gas, etc./ 水、蒸汽、油品等

NO. 序号	Name/名称	Material/材料				
		WCB	CF8	CF8M	CF3	CF3M
1	Body/阀体	A216 WCB	A351 CF8	A351 CF8M	A351 CF3	A351 CF3M
2	Seat/阀座	A105+13Cr	NOUMENON	NOUMENON	NOUMENON	NOUMENON
3	Disc/阀瓣	A216 WCB+13Cr	A351 CF8	A351 CF8M	A351 CF3	A351 CF3M
4	Hinge/摇杆	A216 WCB	A351 CF8	A351 CF8M	A351 CF3	A351 CF3M
5	Gasket/垫片	A29-1035	A182 F304	A182 F304	A182 F304	A182 F304
6	Nut/六角螺母	A194 2H	A194 8	A194 8	A194 8	A194 8
7	Rivet/开口销	A29-1035	A182 F304	A182 F304	A182 F304	A182 F304
8	Pin/销轴	A276 420	A276 304	A276 304	A276 304	A276 304
9	Yoke/支架	A216 WCB	A351 CF8	A351 CF8M	A351 CF3	A351 CF3M
10	Bolts/内六角螺栓	A193 B7	A193 B8	A193 B8	A193 B8	A193 B8
11	Gasket/垫片	A29-1035	A182 F304	A182 F304	A182 F304	A182 F304
12	Bolts/双头螺栓	A193 B7	A193 B8	A193 B8	A193 B8	A193 B8
13	Nuts/六角螺母	A194 2H	A194 8	A194 8	A194 8	A194 8
14	Bolt/吊环螺钉	A194 2H	A194 8	A194 8	A194 8	A194 8
15	Bonnet/阀盖	A216 WCB	A351 CF8	A351 CF8M	A351 CF3	A351 CF3M
16	Gasket/复合垫片	SS304+GRAPHITE	SS304+GRAPHITE	SS316+GRAPHITE	304L+GRAPHITE	316L+GRAPHITE
Temperature/适用温度		-29~425℃	-29~538℃	-29~538℃	-29~538℃	-29~538℃

## API SWING CHECK VALVE 300LB



H44(H, W, Y)-300LB

in	DN	L <sub>RF</sub>	L <sub>BW</sub>	D	D1	D2	b	f	n-φ	A	B	H
2	50	267	267	165	127.0	92	21	2	8-19	60	52	180
2 1/2	65	292	292	191	149.4	105	24	2	8-22	75	63	190
3	80	318	318	210	168.1	127	27	2	8-22	91	78	215
4	100	356	356	255	200.2	157	30	2	8-22	117	102	242
5	125	400	400	280	235.0	186	33	2	8-22	144	128	268
6	150	444	444	320	269.7	216	35	2	12-22	172	154	305
8	200	533	533	380	330.2	270	40	2	12-25	223	203	368
10	250	622	622	445	387.4	324	46	2	16-29	278	255	395
12	300	711	711	520	450.9	381	49	2	16-32	329	305	445
14	350	838	838	585	514.5	413	52	2	20-32	362	337	470
16	400	846	846	650	571.5	470	56	2	20-35	413	387	530
18	450	978	978	710	628.5	533	59	2	24-35	464	438	585
20	500	1016	1016	775	686	584	62	2	24-35	516	489	610
24	600	1346	1346	915	813	692	68	2	24-41	619	591	750