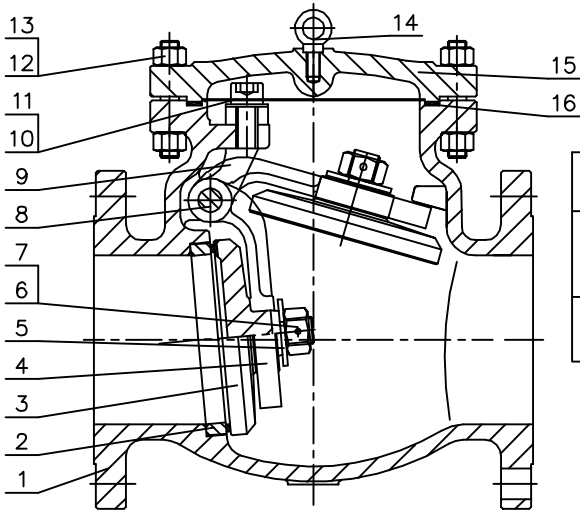


API SWING CHECK VALVE 600LB



Standard and Specification/标准与规范

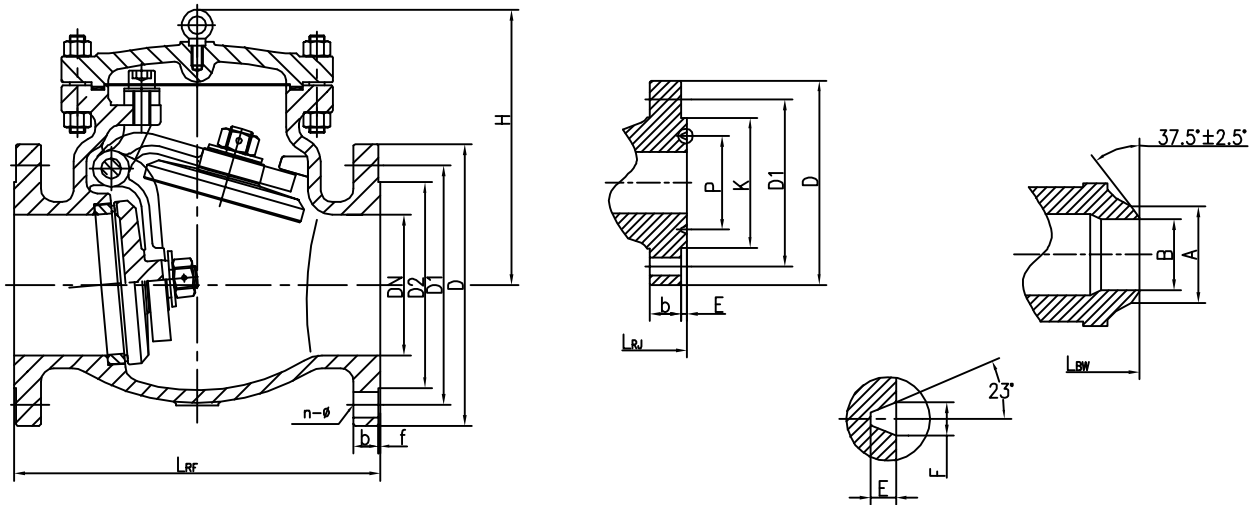
Design standard 设计标准	Face to face 结构长度	Flanges connection 法兰连接	Welding connection 对焊端连接	Testing standard/ 试验与检验	Pressure and Temp./压力-温度 等级
API 6D ASME B16.34	ANSI B16.10	ASME B16.5	ASME B16.25	API 598	ANSI B16.34

Performance specification/性能规范

LB/公称压力	Shell test/ 壳体试验(MPa)	Sealing test/ 密封试验(MPa)	Temperature/ 适用温度(℃)	Medium/ 使用介质
600LB	16.5	12.1	-29℃~425℃	Water, Steam, Oil, Gas, etc./ 水、蒸汽、油品等

NO. 序号	Name/名称	Material/材料				
		WCB	CF8	CF8M	CF3	CF3M
1	Body/阀体	A216 WCB	A351 CF8	A351 CF8M	A351 CF3	A351 CF3M
2	Seat/阀座	A105+13Cr	NOUMENON	NOUMENON	NOUMENON	NOUMENON
3	Disc/阀瓣	A216 WCB+13Cr	A351 CF8	A351 CF8M	A351 CF3	A351 CF3M
4	Hinge/摇杆	A216 WCB	A351 CF8	A351 CF8M	A351 CF3	A351 CF3M
5	Gasket/垫片	A29-1035	A182 F304	A182 F304	A182 F304	A182 F304
6	Nut/六角螺母	A194 2H	A194 8	A194 8	A194 8	A194 8
7	Rivet/开口销	A29-1035	A182 F304	A182 F304	A182 F304	A182 F304
8	Pin/销轴	A276 420	A276 304	A276 304	A276 304	A276 304
9	Yoke/支架	A216 WCB	A351 CF8	A351 CF8M	A351 CF3	A351 CF3M
10	Bolts/内六角螺栓	A193 B7	A193 B8	A193 B8	A193 B8	A193 B8
11	Gasket/垫片	A29-1035	A182 F304	A182 F304	A182 F304	A182 F304
12	Bolts/双头螺栓	A193 B7	A193 B8	A193 B8	A193 B8	A193 B8
13	Nuts/六角螺母	A194 2H	A194 8	A194 8	A194 8	A194 8
14	Bolt/吊环螺钉	A194 2H	A194 8	A194 8	A194 8	A194 8
15	Bonnet/阀盖	A216 WCB	A351 CF8	A351 CF8M	A351 CF3	A351 CF3M
16	Gasket/复合垫片	SS304+GRAPHITE	SS304+GRAPHITE	SS316+GRAPHITE	304L+GRAPHITE	316L+GRAPHITE
Temperature/适用温度		-29~425℃	-29~538℃	-29~538℃	-29~538℃	-29~538℃

API SWING CHECK VALVE 600LB



H44(H, W, Y)-600LB

in	DN	L _{RF}	L _{BW}	L _{RJ}	D	D1	D2	b	f	n-φ	K	P	E	F	A	B	H
2	50	292	292	295	165	127	92	26	7	8-19	108	82.55	7.92	11.91	60	49	205
2 1/2	65	330	330	333	190	149.5	105	29	7	8-22	127	101.6	7.92	11.91	75	59	230
3	80	356	356	359	210	168	127	32	7	8-22	146	123.83	7.92	11.91	91	74	235
4	100	432	432	435	275	216	157	39	7	8-25	175	149.23	7.92	11.91	117	97	286
5	125	508	508	511	330	266.5	186	45	7	8-29	210	180.98	7.92	11.91	144	122	295
6	150	559	559	562	355	292	216	48	7	12-29	241	211.12	7.92	11.91	172	146	330
8	200	660	660	663	420	349	270	56	7	12-32	302	269.88	7.92	11.91	223	194	381
10	250	787	787	790	510	432	324	64	7	16-35	356	323.85	7.92	11.91	278	243	458
12	300	838	838	841	560	489	381	67	7	20-35	413	381.00	7.92	11.91	329	298	581
14	350	889	889	892	605	527	413	70	7	20-38	457	419.10	7.92	11.91	362	330	635
16	400	991	991	994	685	603	470	76	7	20-41	508	469.90	7.92	11.91	413	373	585