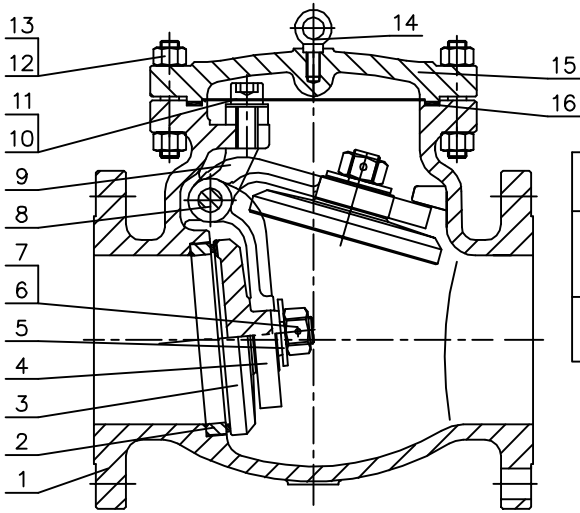


API SWING CHECK VALVE 900LB



Standard and Specification/标准与规范

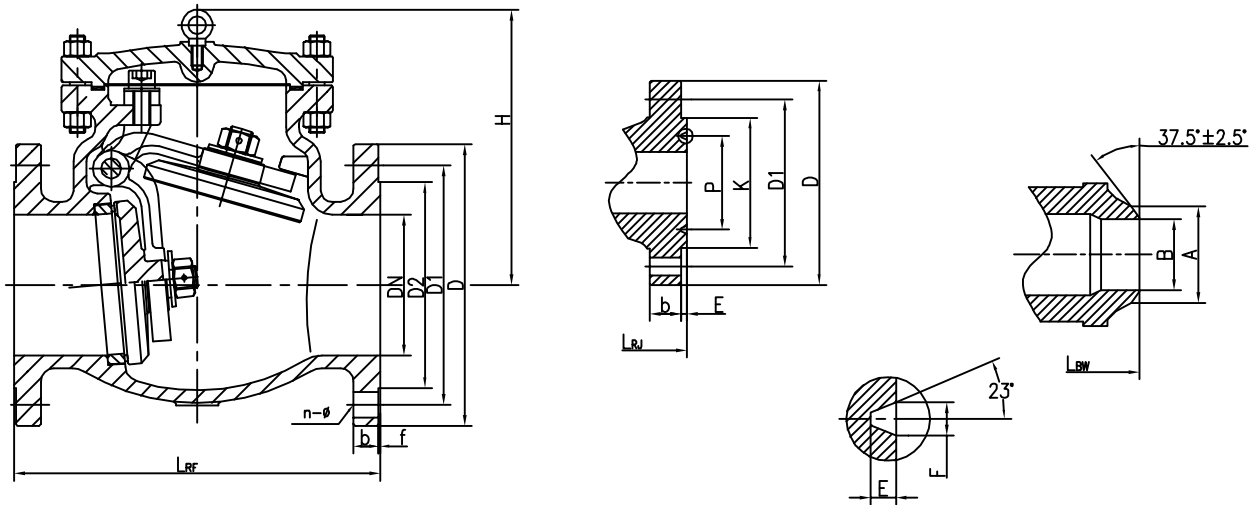
Design standard 设计标准	Face to face 结构长度	Flanges connection 法兰连接	Welding connection 对焊端连接	Testing standard/ 试验与检验	Pressure and Temp./压力-温度 等级
API 6D ASME B16.34	ANSI B16.10	ASME B16.5	ASME B16.25	API 598	ANSI B16.34

Performance specification/性能规范

LB/公称压力	Shell test/ 壳体试验(MPa)	Sealing test/ 密封试验(MPa)	Temperature/ 适用温度(℃)	Medium/ 使用介质
900LB	22.5	16.5	-29℃~425℃	Water, Steam, Oil, Gas, etc./ 水、蒸汽、油品等

NO. 序号	Name/名称	Material/材料				
		WCB	CF8	CF8M	CF3	CF3M
1	Body/阀体	A216 WCB	A351 CF8	A351 CF8M	A351 CF3	A351 CF3M
2	Seat/阀座	A105+13Cr	NOUMENON	NOUMENON	NOUMENON	NOUMENON
3	Disc/阀瓣	A216 WCB+13Cr	A351 CF8	A351 CF8M	A351 CF3	A351 CF3M
4	Hinge/摇杆	A216 WCB	A351 CF8	A351 CF8M	A351 CF3	A351 CF3M
5	Gasket/垫片	A29-1035	A182 F304	A182 F304	A182 F304	A182 F304
6	Nut/六角螺母	A194 2H	A194 8	A194 8	A194 8	A194 8
7	Rivet/开口销	A29-1035	A182 F304	A182 F304	A182 F304	A182 F304
8	Pin/销轴	A276 420	A276 304	A276 304	A276 304	A276 304
9	Yoke/支架	A216 WCB	A351 CF8	A351 CF8M	A351 CF3	A351 CF3M
10	Bolts/内六角螺栓	A193 B7	A193 B8	A193 B8	A193 B8	A193 B8
11	Gasket/垫片	A29-1035	A182 F304	A182 F304	A182 F304	A182 F304
12	Bolts/双头螺栓	A193 B7	A193 B8	A193 B8	A193 B8	A193 B8
13	Nuts/六角螺母	A194 2H	A194 8	A194 8	A194 8	A194 8
14	Bolt/吊环螺钉	A194 2H	A194 8	A194 8	A194 8	A194 8
15	Bonnet/阀盖	A216 WCB	A351 CF8	A351 CF8M	A351 CF3	A351 CF3M
16	Gasket/复合垫片	SS304+GRAPHITE	SS304+GRAPHITE	SS316+GRAPHITE	304L+GRAPHITE	316L+GRAPHITE
Temperature/适用温度		-29~425℃	-29~538℃	-29~538℃	-29~538℃	-29~538℃

API SWING CHECK VALVE 900LB



H44(H, W, Y)-900LB

in	DN	LRF	LBW	LRJ	D	D1	D2	b	f	n-φ	K	P	E	F	A	B	H
2	50	368	368	371	215	165.1	92	38	7	8-25	124	95.25	7.92	11.91	60	49	215
2 1/2	65	419	419	422	245	190.5	105	41	7	8-29	137	107.95	7.92	11.91	75	59	255
3	80	381	381	384	340	190.5	127	38	7	8-25	156	123.83	7.92	11.91	91	74	295
4	100	457	457	460	290	235.0	157	45	7	8-32	181	149.23	7.92	11.91	117	97	318
5	125	559	559	562	350	279.4	186	51	7	8-35	216	180.98	7.92	11.91	144	122	345
6	150	610	610	613	380	317.5	216	56	7	12-32	241	211.12	7.92	11.91	172	146	368
8	200	737	737	740	470	393.7	270	64	7	12-38	308	269.88	7.92	11.91	223	194	435
10	250	838	838	841	545	469.9	324	70	7	16-38	362	323.85	7.92	11.91	278	243	545
12	300	965	965	968	610	533.5	381	79	7	20-39	419	381	7.92	11.91	329	298	660