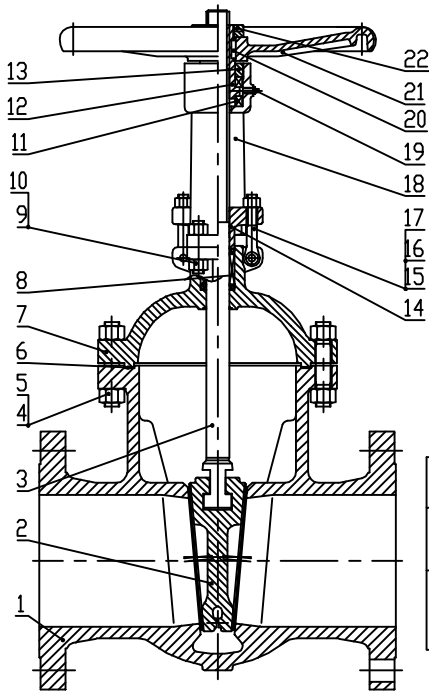


DIN GATE VALVE PN100

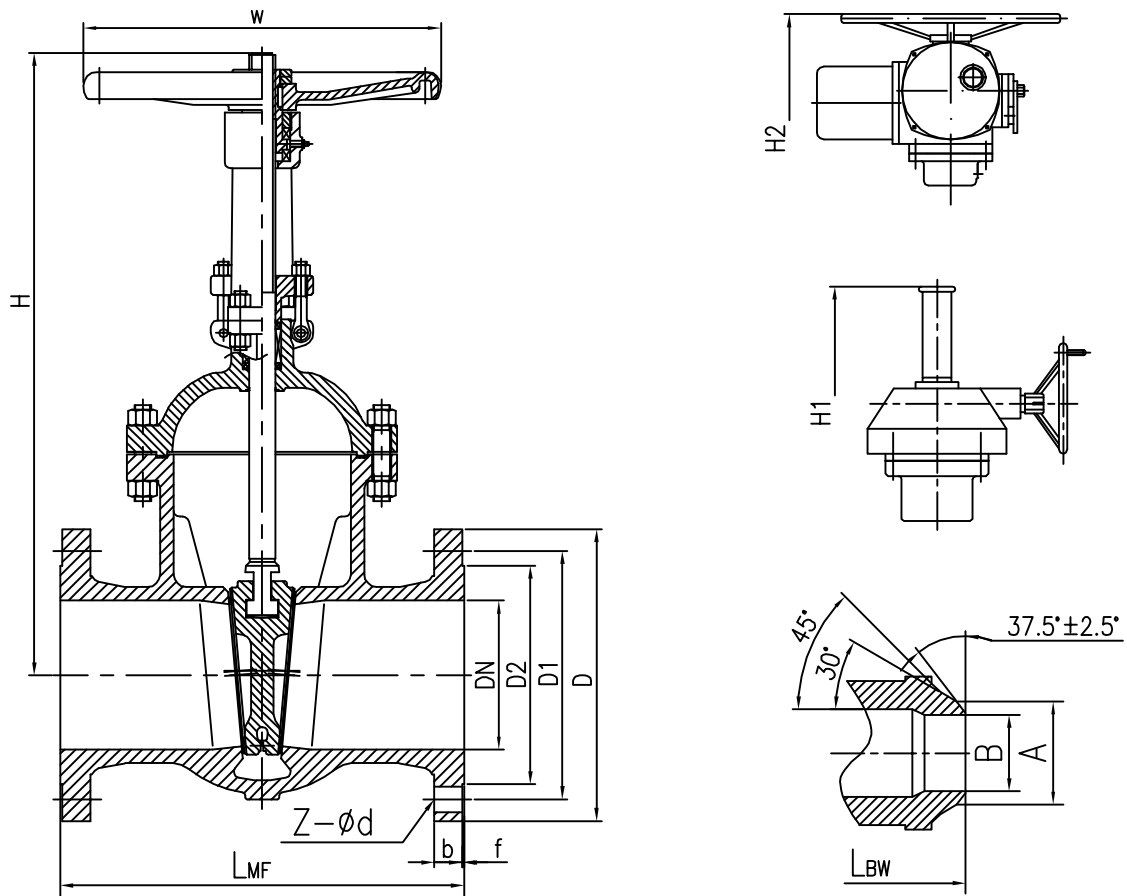


Standard and Specification/标准与规范				
Design standard 设计标准	Face to face 结构长度	Flange connection 法兰连接	Welding connection 焊接连接	Testing standard 试验与检验
DIN 3352	DIN 3202	DIN 2543 -2547	GB/T 12224	DIN 3230

Performance specification/性能规范						
PN 公称压力(MPa)	Shell test 壳体试验(MPa)	Sealing test 密封试验(MPa)	Back seal test 上密封(MPa)	Oil seal test 气密试验(MPa)	Temperature 适用温度(℃)	Medium 使用介质
10.0	15.0	11.00	11.00	0.6	-29℃~425℃	Water, Steam, Oil, Gas, etc./水、蒸汽、油品等

NO./序号	Name/名称	Material/材料					
		GS-C25 +13Cr	1.4308	1.4408	CF3	CF3M	LCC+STL
1	Body/阀体	GS-C25 +13Cr	1.4308	1.4408	CF3	CF3M	LCC+STL
2	Disc/闸板	GS-C25 +13Cr	1.4308	1.4408	CF3	CF3M	LCC+STL
3	Stem/阀杆	1.4021	F304	F316	F304L	F316L	F304
4	Bolts/双头螺栓	B7	B8	B8	B8	B8	B7
5	Nuts/六角螺母	2H	8	8	8	8	2H
6	Gasket/复合垫片	304+GRAPHITE	304+GRAPHITE	304+GRAPHITE	304+GRAPHITE	304+GRAPHITE	304+GRAPHITE
7	Bonnet/阀盖	GS-C25	1.4308	1.4408	CF3	CF3M	LCC
8	Packing/填料	GRAPHITE	GRAPHITE	GRAPHITE	GRAPHITE	GRAPHITE	GRAPHITE
9	Bolts/双头螺栓	B7	B8	B8	B8	B8	B7
10	Nuts/六角螺母	2H	8	8	8	8	2H
11	Thrust bearing/推力轴承	Bearing steel	Bearing steel	Bearing steel	Bearing steel	Bearing steel	Bearing steel
12	Nut/阀杆螺母	ZQAL9-4	ZQAL9-4	ZQAL9-4	ZQAL9-4	ZQAL9-4	ZQAL9-4
13	Bearing cover/轴承压盖	1025	1025	1025	1025	1025	1025
14	Packing cover/填料压盖	GS-C25	1.4308	1.4408	CF3	CF3M	LCC
15	Pin/销轴	1.4021	1.4301	1.4301	1.4301	1.4301	1.4021
16	Bolts/活节螺栓	B7	B8	B8	B8	B8	B7
17	Nuts/六角螺母	2H	8	8	8	8	2H
18	Yoke/支架	GS-C25	1.4308	1.4408	CF8	CF8	LCC
19	Oil cup/注油杯	Bronze	Bronze	Bronze	Bronze	Bronze	Bronze
20	Flat key/平键	1035	304	304	304	304	1035
21	Handwheel/手轮	GGG-40	GGG-40	GGG-40	GGG-40	GGG-40	GGG-40
22	Lock nut/锁紧螺母	1025	1025	1025	1025	1025	1025

DIN GATE VALVE PN100



DIN-F5 GATE VALVE PN100

DN	LMF	LBW	D(φ)	D1(φ)	D2(φ)	f	b	Z-φd	A	B	H	w(φ)
50	250	250	195	145	87	4	28	4-φ26	60	49	490	240
65	290	290	220	170	109	4	30	8-φ26	75	59	540	240
80	310	310	230	180	120	4	32	8-φ26	91	74	573	300
100	350	350	265	210	149	4.5	36	8-φ30	117	97	575	350
125	400	400	315	250	175	4.5	40	8-φ33	144	122	745	400
150	450	450	355	290	203	4.5	44	12-φ33	172	146	800	450
200	550	550	430	360	259	4.5	52	12-φ36	223	194	830	500
250	650	650	505	430	312	4.5	60	12-φ39	278	243	1050	550
300	750	750	585	500	363	4.5	68	16-φ42	329	298	1208	600
350	850	850	655	560	421	5	74	16-φ48	362	330	1410	700
400	950	950	715	620	473	5	82	16-φ48	413	373	1655	800