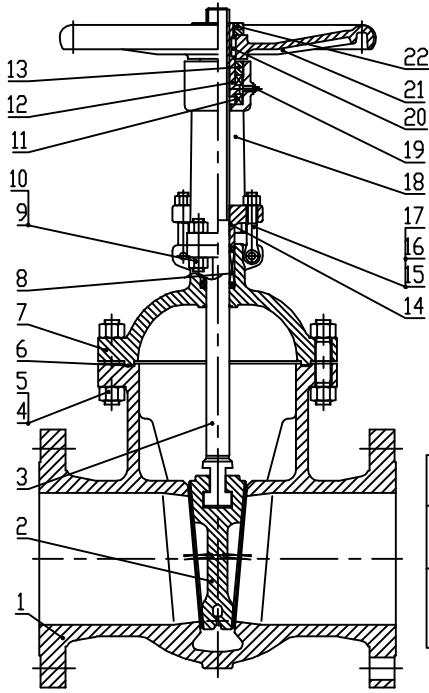


DIN GATE VALVE PN40

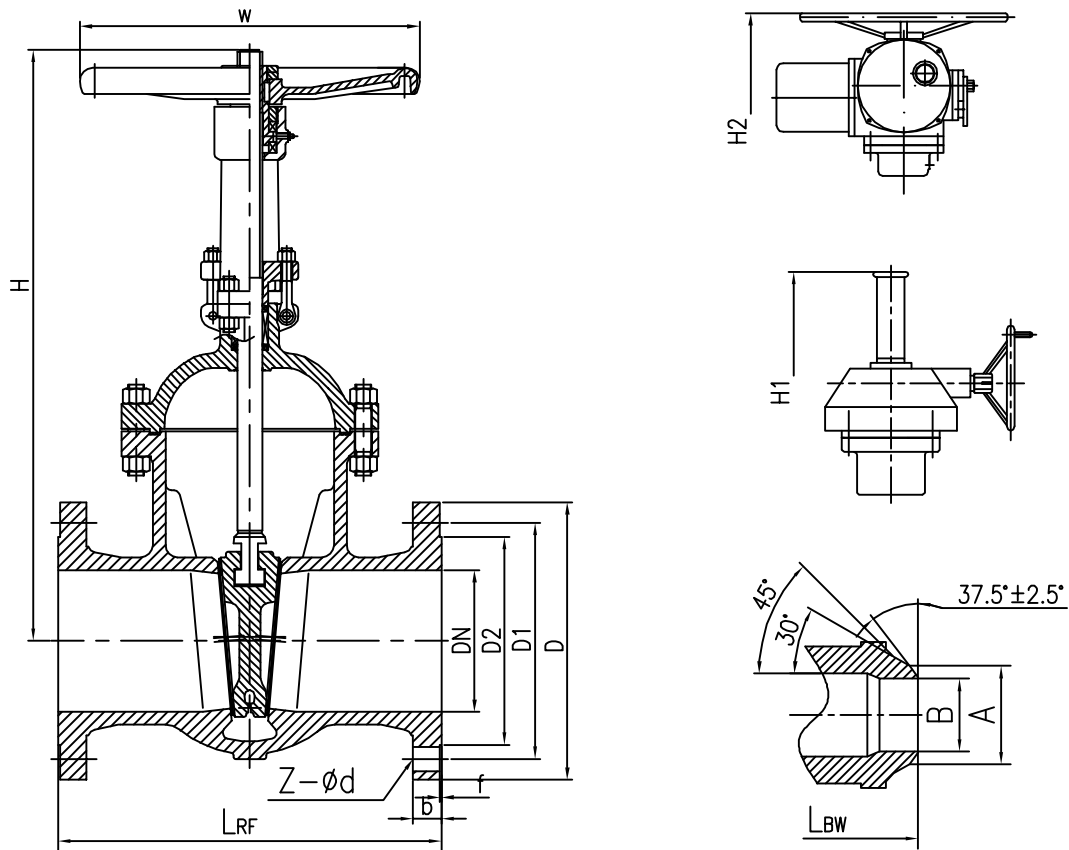


Standard and Specification/标准与规范				
Design standard 设计标准	Face to face 结构长度	Flange connection 法兰连接	Welding connection 焊接连接	Testing standard 试验与检验
DIN 3352	DIN 3202	DIN 2543 -2547	GB/T 12224	DIN 3230

Performance specification/性能规范						
PN 公称压力(MPa)	Shell test 壳体试验(MPa)	Sealing test 密封试验(MPa)	Back seal test 上密封(MPa)	Oil seal test 气密试验(MPa)	Temperature 适用温度(℃)	Medium 使用介质
4.0	6.0	4.40	4.40	0.6	-29℃~425℃	Water, Steam, Oil, Gas, etc./水、蒸气、油品等

NO./序号	Name/名称	Material/材料					
1	Body/阀体	GS-C25 +13Cr	1.4308	1.4408	CF3	CF3M	LCC+STL
2	Disc/阀板	GS-C25 +13Cr	1.4308	1.4408	CF3	CF3M	LCC+STL
3	Stem/阀杆	1.4021	F304	F316	F304L	F316L	F304
4	Bolts/双头螺栓	B7	B8	B8	B8	B8	B7
5	Nuts/六角螺母	2H	8	8	8	8	2H
6	Gasket/复合垫片	304+GRAPHITE	304+GRAPHITE	304+GRAPHITE	304+GRAPHITE	304+GRAPHITE	304+GRAPHITE
7	Bonnet/阀盖	GS-C25	1.4308	1.4408	CF3	CF3M	LCC
8	Packing/填料	GRAPHITE	GRAPHITE	GRAPHITE	GRAPHITE	GRAPHITE	GRAPHITE
9	Bolts/双头螺栓	B7	B8	B8	B8	B8	B7
10	Nuts/六角螺母	2H	8	8	8	8	2H
11	Thrust bearing/推力轴承	Bearing steel	Bearing steel	Bearing steel	Bearing steel	Bearing steel	Bearing steel
12	Nut/阀杆螺母	ZQAL9-4	ZQAL9-4	ZQAL9-4	ZQAL9-4	ZQAL9-4	ZQAL9-4
13	Bearing cover/轴承压盖	1025	1025	1025	1025	1025	1025
14	Packing cover/填料压盖	GS-C25	1.4308	1.4408	CF3	CF3M	LCC
15	Pin/销轴	1.4021	1.4301	1.4301	1.4301	1.4301	1.4021
16	Bolts/活节螺栓	B7	B8	B8	B8	B8	B7
17	Nuts/六角螺母	2H	8	8	8	8	2H
18	Yoke/支架	GS-C25	1.4308	1.4408	CF8	CF8	LCC
19	Oil cup/注油杯	Bronze	Bronze	Bronze	Bronze	Bronze	Bronze
20	Flat key/平键	1035	304	304	304	304	1035
21	Handwheel/手轮	GGG-40	GGG-40	GGG-40	GGG-40	GGG-40	GGG-40
22	Lock nut/锁紧螺母	1025	1025	1025	1025	1025	1025

DIN GATE VALVE PN40



Z40(H.Y.W)-40(C.P.R.I)

DN	LMF	LBW	D(ø)	D1(ø)	D2(ø)	f	b	Z-ød	A	B	H	w(ø)
50	250	250	165	125	87	4	20	4-ø18	60	52	370	200
65	290	290	185	145	109	4	22	8-ø18	75	63	395	200
80	310	310	200	160	120	4	24	8-ø18	91	78	455	300
100	350	350	235	190	149	4.5	24	8-ø22	117	102	550	320
125	400	400	270	220	175	4.5	26	8-ø26	144	128	635	320
150	450	450	300	250	203	4.5	28	8-ø26	172	154	705	400
200	550	550	375	320	259	4.5	34	12-ø30	223	203	840	400
250	650	650	450	385	312	4.5	38	12-ø33	278	255	1020	450
300	750	750	515	450	363	4.5	42	16-ø33	329	305	1200	500
350	850	850	580	510	421	5	46	16-ø36	362	337	1340	550
400	950	950	660	585	473	5	50	16-ø39	413	387	1495	600
450	1050	1050	685	610	523	5	57	20-ø39	464	438	1585	650
500	1150	1150	755	670	575	5	57	20-ø42	516	489	1790	700
600	1350	1350	890	795	675	5	72	20-ø48	619	591	2040	800