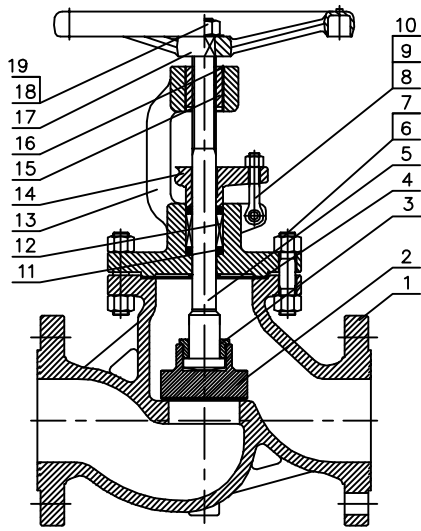


DIN GLOBE VALVE PN16

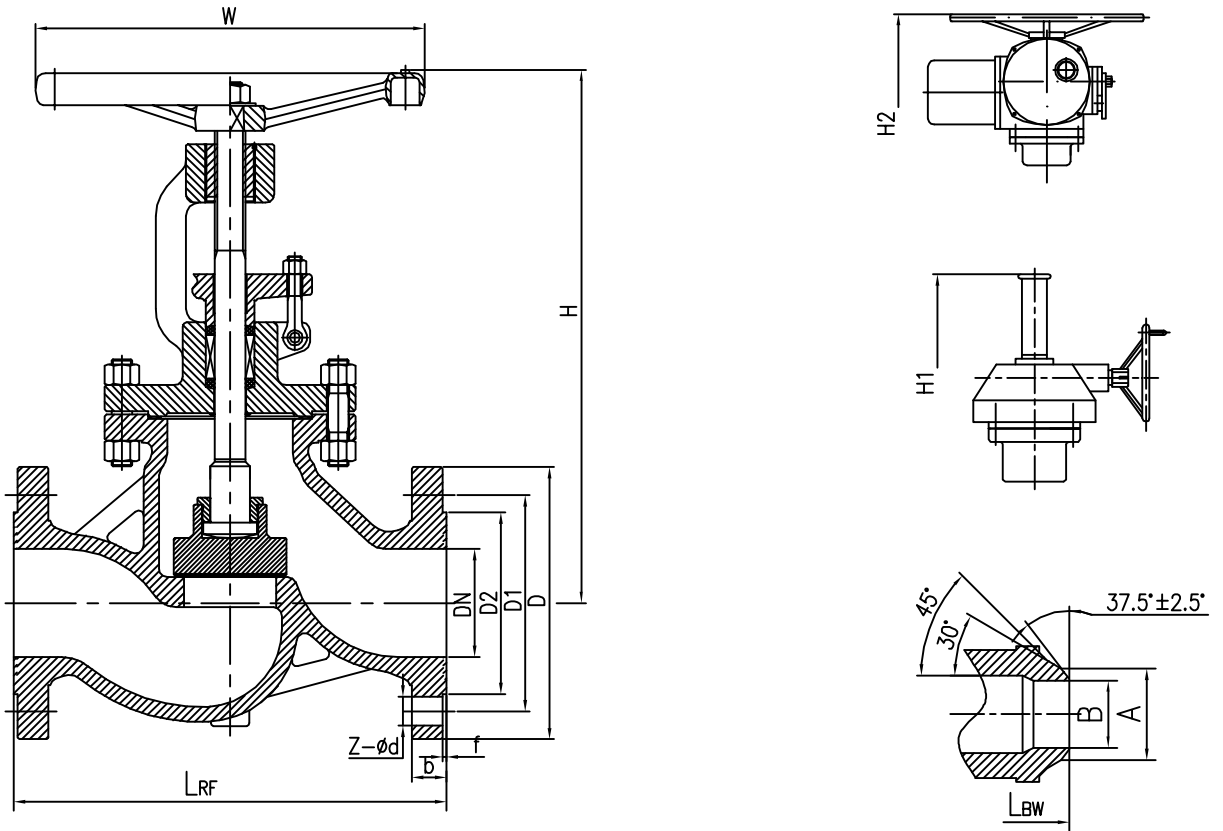


| Standard and Specification 标准与规范 | | | |
|----------------------------------|----------------------|---------------------------|---------------------------|
| Design standard 设计标准 | Face to Face 结构长度 | Flange connection 法兰连接 | Testing standard 试验与检验 |
| DIN 3356 | DIN 3202 | DIN2543-2545 | DIN 3230 |

| Performance Specification / 性能规范 | | | | | | |
|----------------------------------|--------------------------|----------------------------|-----------------------------|-----------------------------|-------------------------|--|
| PN/ 公称压力(MPa) | Shell test/ 壳体试验(MPa) | Sealing test/ 密封试验(MPa) | Back seal test/ 上密封(MPa) | Gas seal test/ 气密试验(MPa) | Temperature/ 适用温度(℃) | Medium/ 使用介质 |
| 1.6 | 2.4 | 1.76 | 1.76 | 0.6 | -29℃~425℃ | Water, Steam, Oil, Gas, etc. / 水、蒸气、 油品等 |

| NO./序号 | Name/名称 | Material/材料 | | | | | |
|--------|----------------|--------------|--------------|--------------|--------------|--------------|--------------|
| | | | | | | | |
| 1 | Body/阀体 | GS-C25 +13Cr | 1.4308 | 1.4408 | CF3 | CF3M | LCC+STL |
| 2 | Disc/阀瓣 | 1045+13Cr | 1.4301 | 1.4401 | F304L | F316L | 1045+STL |
| 3 | Disc cover/阀瓣盖 | 1025 | 1.4301 | 1.4401 | F304L | F316L | 1045 |
| 4 | Gasket/复合垫片 | 304+GRAPHITE | 304+GRAPHITE | 304+GRAPHITE | 304+GRAPHITE | 304+GRAPHITE | 304+GRAPHITE |
| 5 | Stem/阀杆 | 1.4021 | 1.4301 | 1.4401 | F304L | F316L | 1.4401 |
| 6 | Bolts/双头螺栓 | A193 B7 | A193 B8 | A193 B8 | A193 B8 | A193 B8 | A193 B7 |
| 7 | Nuts/六角螺母 | A194 2H | A194 8 | A194 8 | A194 8 | A194 8 | A194 2H |
| 8 | Pin/销轴 | 1.4021 | 1.4301 | 1.4301 | 1.4301 | 1.4301 | 1.4021 |
| 9 | Bolts/活节螺栓 | A193 B7 | A193 B8 | A193 B8 | A193 B8 | A193 B8 | A193 B7 |
| 10 | Nuts/六角螺母 | A194 2H | A194 8 | A194 8 | A194 8 | A194 8 | A194 2H |
| 11 | Packing/填料 | GRAPHITE | GRAPHITE | GRAPHITE | GRAPHITE | GRAPHITE | GRAPHITE |
| 12 | Packing/填料 | GRAPHITE | GRAPHITE | GRAPHITE | GRAPHITE | GRAPHITE | GRAPHITE |
| 13 | Bonnet/阀盖 | GS-C25 | 1.4308 | 1.4408 | CF3 | CF3M | LCC |
| 14 | Cover/填料压盖 | GS-C25 | 1.4308 | 1.4408 | CF3 | CF3M | LCC |
| 15 | Nut/阀杆螺母 | ZQAL9-4 | ZQAL9-4 | ZQAL9-4 | ZQAL9-4 | ZQAL9-4 | ZQAL9-4 |
| 16 | Rivet/紧定螺钉 | 1025 | 1025 | 1025 | 1025 | 1025 | 1025 |
| 17 | Handwheel/手轮 | GGG-40 | GGG-40 | GGG-40 | GGG-40 | GGG-40 | GGG-40 |
| 18 | Gasket/垫片 | Fe360B | Fe360B | Fe360B | Fe360B | Fe360B | Fe360B |
| 19 | Nuts/六角螺母 | A194 2H | A194 8 | A194 8 | A194 8 | A194 8 | A194 2H |

DIN GLOBE VALVE PN16



DIN GLOBE VALVE PN16

| DN | LRF | LBW | D(ϕ) | D1(ϕ) | D2(ϕ) | f | b | Z- ϕ d | A | B | H | w(ϕ) |
|-----|-----|-----|-------------|--------------|--------------|---|----|---------------|-----|-----|------|-------------|
| 50 | 150 | 150 | 165 | 125 | 99 | 2 | 20 | 4- ϕ 18 | 60 | 52 | 350 | 200 |
| 65 | 170 | 170 | 185 | 145 | 118 | 2 | 20 | 4- ϕ 18 | 75 | 63 | 370 | 200 |
| 80 | 180 | 180 | 200 | 160 | 132 | 2 | 20 | 8- ϕ 18 | 91 | 78 | 400 | 280 |
| 100 | 190 | 190 | 220 | 180 | 156 | 2 | 22 | 8- ϕ 18 | 117 | 102 | 415 | 300 |
| 125 | 200 | 200 | 250 | 210 | 184 | 2 | 22 | 8- ϕ 18 | 144 | 128 | 460 | 320 |
| 150 | 210 | 210 | 285 | 240 | 211 | 2 | 24 | 8- ϕ 22 | 172 | 154 | 510 | 360 |
| 200 | 230 | 230 | 340 | 295 | 266 | 2 | 24 | 12- ϕ 22 | 223 | 203 | 710 | 400 |
| 250 | 250 | 250 | 405 | 355 | 319 | 2 | 26 | 12- ϕ 26 | 278 | 255 | 785 | 450 |
| 300 | 270 | 270 | 460 | 410 | 370 | 2 | 28 | 12- ϕ 26 | 329 | 305 | 925 | 500 |
| 350 | / | / | 520 | 470 | 429 | 2 | 30 | 16- ϕ 26 | 362 | 337 | 980 | 550 |
| 400 | / | / | 580 | 525 | 480 | 2 | 32 | 16- ϕ 30 | 413 | 387 | 1030 | 600 |