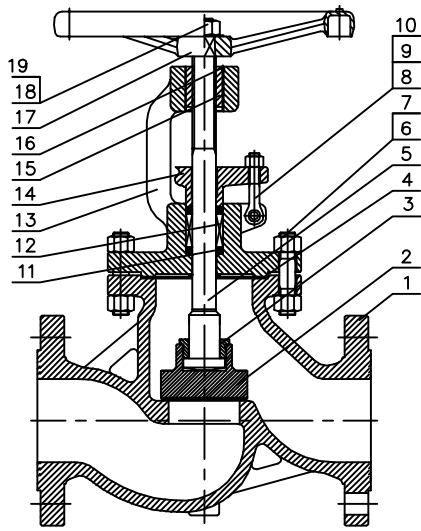


DIN GLOBE VALVE PN25

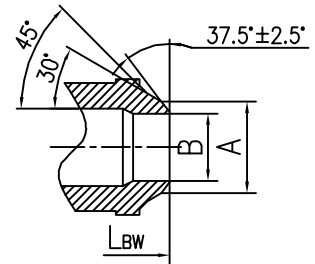
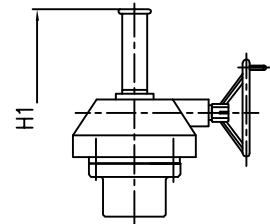
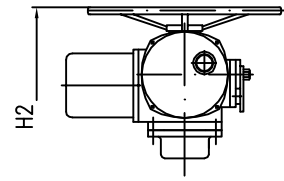
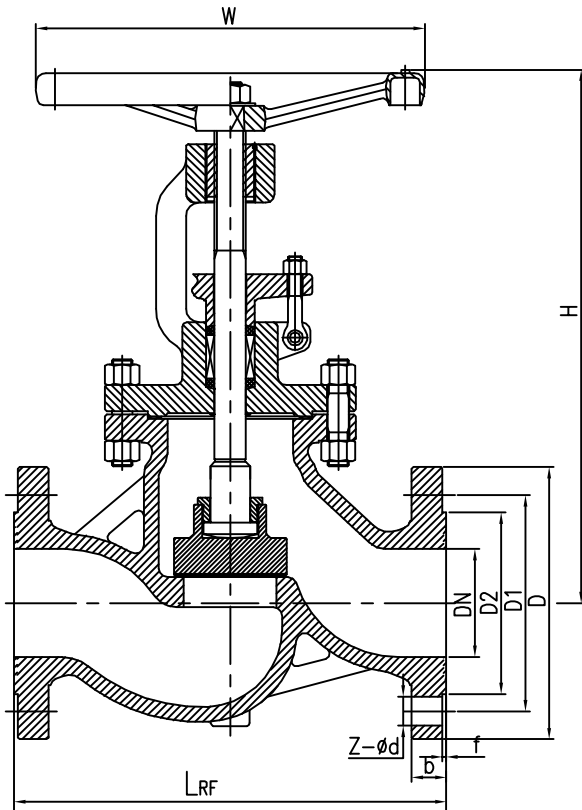


Standard and Specification 标准与规范			
Design standard 设计标准	Face to Face 结构长度	Flange connection 法兰连接	Testing standard 试验与检验
DIN 3356	DIN 3202	DIN2543-2545	DIN 3230

Performance Specification / 性能规范						
PN/ 公称压力(MPa)	Shell test/ 壳体试验(MPa)	Sealing test/ 密封试验(MPa)	Back seal test/ 上密封(MPa)	Gas seal test/ 气密试验(MPa)	Temperature/ 适用温度(℃)	Medium/ 使用介质
2.5	3.8	2.75	2.75	0.6	-29℃~425℃	Water, Steam, Oil, Gas, etc. / 水、蒸气、 油品等

NO./序号	Name/名称	Material/材料					
1	Body/阀体	GS-C25 +13Cr	1.4308	1.4408	CF3	CF3M	LCC+STL
2	Disc/阀瓣	1045+13Cr	1.4301	1.4401	F304L	F316L	1045+STL
3	Disc cover/阀瓣盖	1025	1.4301	1.4401	F304L	F316L	1045
4	Gasket/复合垫片	304+GRAPHITE	304+GRAPHITE	304+GRAPHITE	304+GRAPHITE	304+GRAPHITE	304+GRAPHITE
5	Stem/阀杆	1.4021	1.4301	1.4401	F304L	F316L	1.4401
6	Bolts/双头螺栓	A193 B7	A193 B8	A193 B8	A193 B8	A193 B8	A193 B7
7	Nuts/六角螺母	A194 2H	A194 8	A194 8	A194 8	A194 8	A194 2H
8	Pin/销轴	1.4021	1.4301	1.4301	1.4301	1.4301	1.4021
9	Bolts/活节螺栓	A193 B7	A193 B8	A193 B8	A193 B8	A193 B8	A193 B7
10	Nuts/六角螺母	A194 2H	A194 8	A194 8	A194 8	A194 8	A194 2H
11	Packing/填料	GRAPHITE	GRAPHITE	GRAPHITE	GRAPHITE	GRAPHITE	GRAPHITE
12	Packing/填料	GRAPHITE	GRAPHITE	GRAPHITE	GRAPHITE	GRAPHITE	GRAPHITE
13	Bonnet/阀盖	GS-C25	1.4308	1.4408	CF3	CF3M	LCC
14	Cover/填料压盖	GS-C25	1.4308	1.4408	CF3	CF3M	LCC
15	Nut/阀杆螺母	ZQAL9-4	ZQAL9-4	ZQAL9-4	ZQAL9-4	ZQAL9-4	ZQAL9-4
16	Rivet/紧定螺钉	1025	1025	1025	1025	1025	1025
17	Handwheel/手轮	GGG-40	GGG-40	GGG-40	GGG-40	GGG-40	GGG-40
18	Gasket/垫片	Fe360B	Fe360B	Fe360B	Fe360B	Fe360B	Fe360B
19	Nuts/六角螺母	A194 2H	A194 8	A194 8	A194 8	A194 8	A194 2H

DIN GLOBE VALVE PN25



DIN GLOBE VALVE PN25

DN	L _{RF}	L _{BW}	D(φ)	D1(φ)	D2(φ)	f	b	Z-φd	A	B	H	w(φ)
50	230	230	165	125	99	2	20	4-φ18	60	52	350	200
65	290	290	185	145	118	2	22	8-φ18	75	63	400	200
80	310	310	200	160	132	2	24	8-φ18	91	78	355	280
100	350	350	235	190	156	2	24	8-φ22	117	102	415	300
125	400	400	270	220	184	2	26	8-φ26	144	128	460	320
150	480	480	300	250	211	2	28	8-φ26	172	154	510	360
200	600	600	360	310	274	2	30	12-φ26	223	203	710	400
250	730	730	425	370	330	2	32	12-φ30	278	255	785	450
300	850	850	485	430	389	2	34	16-φ30	329	305	925	500
350	980	980	555	490	448	2	38	16-φ33	362	337	980	550
400	1100	1100	620	550	503	2	40	16-φ36	413	387	1035	600