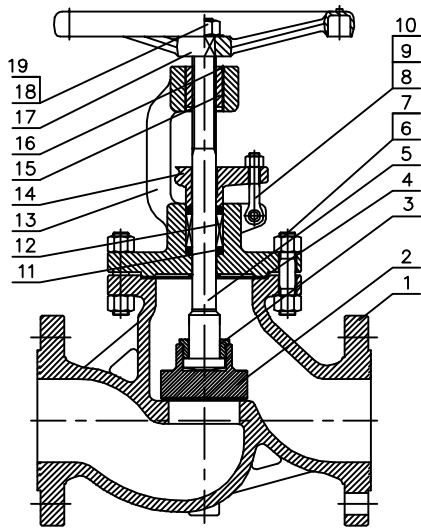


DIN GLOBE VALVE PN40

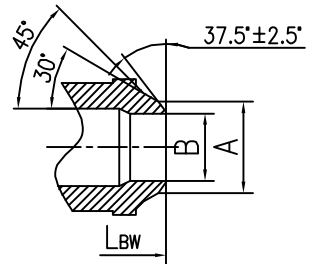
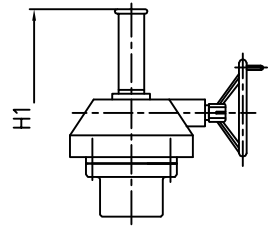
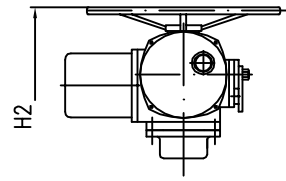
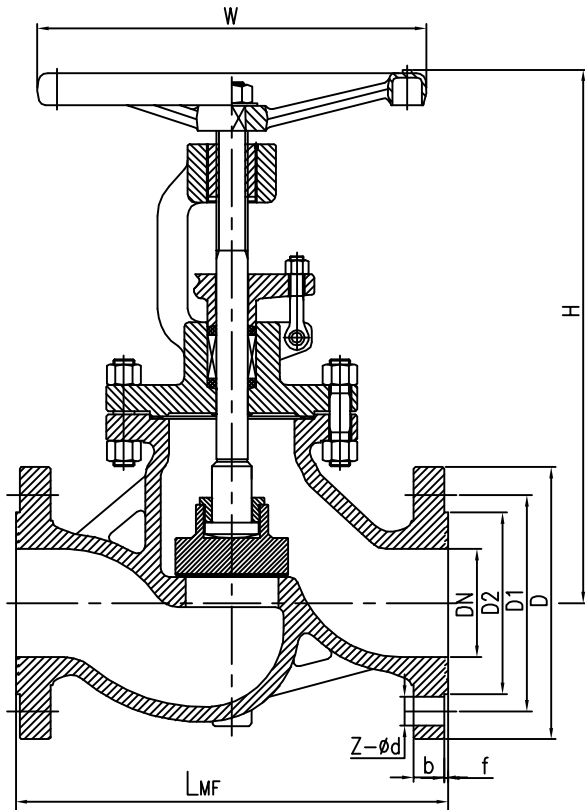


Standard and Specification 标准与规范			
Design standard 设计标准	Face to Face 结构长度	Flange connection 法兰连接	Testing standard 试验与检验
DIN 3356	DIN 3202	DIN2543-2545	DIN 3230

Performance Specification / 性能规范						
PN/ 公称压力(MPa)	Shell test/ 壳体试验(MPa)	Sealing test/ 密封试验(MPa)	Back seal test/ 上密封(MPa)	Gas seal test/ 气密试验(MPa)	Temperature/ 适用温度(℃)	Medium/ 使用介质
4.0	6.0	4.40	4.40	0.6	-29℃~425℃	Water, Steam, Oil, Gas, etc. / 水、蒸气、 油品等

NO./序号	Name/名称	Material/材料					
1	Body/阀体	GS-C25 +13Cr	1.4308	1.4408	CF3	CF3M	LCC+STL
2	Disc/阀瓣	1045+13Cr	1.4301	1.4401	F304L	F316L	1045+STL
3	Disc cover/阀瓣盖	1025	1.4301	1.4401	F304L	F316L	1045
4	Gasket/复合垫片	304+GRAPHITE	304+GRAPHITE	304+GRAPHITE	304+GRAPHITE	304+GRAPHITE	304+GRAPHITE
5	Stem/阀杆	1.4021	1.4301	1.4401	F304L	F316L	1.4401
6	Bolts/双头螺栓	A193 B7	A193 B8	A193 B8	A193 B8	A193 B8	A193 B7
7	Nuts/六角螺母	A194 2H	A194 8	A194 8	A194 8	A194 8	A194 2H
8	Pin/销轴	1.4021	1.4301	1.4301	1.4301	1.4301	1.4021
9	Bolts/活节螺栓	A193 B7	A193 B8	A193 B8	A193 B8	A193 B8	A193 B7
10	Nuts/六角螺母	A194 2H	A194 8	A194 8	A194 8	A194 8	A194 2H
11	Packing/填料	GRAPHITE	GRAPHITE	GRAPHITE	GRAPHITE	GRAPHITE	GRAPHITE
12	Packing/填料	GRAPHITE	GRAPHITE	GRAPHITE	GRAPHITE	GRAPHITE	GRAPHITE
13	Bonnet/阀盖	GS-C25	1.4308	1.4408	CF3	CF3M	LCC
14	Cover/填料压盖	GS-C25	1.4308	1.4408	CF3	CF3M	LCC
15	Nut/阀杆螺母	ZQAL9-4	ZQAL9-4	ZQAL9-4	ZQAL9-4	ZQAL9-4	ZQAL9-4
16	Rivet/紧定螺钉	1025	1025	1025	1025	1025	1025
17	Handwheel/手轮	GGG-40	GGG-40	GGG-40	GGG-40	GGG-40	GGG-40
18	Gasket/垫片	Fe360B	Fe360B	Fe360B	Fe360B	Fe360B	Fe360B
19	Nuts/六角螺母	A194 2H	A194 8	A194 8	A194 8	A194 8	A194 2H

DIN GLOBE VALVE PN40



DIN GLOBE VALVE PN40

DN	LMF	LBW	D(ϕ)	D1(ϕ)	D2(ϕ)	f	b	Z- ϕ d	A	B	H	w(ϕ)
50	230	230	165	125	87	4	20	4- ϕ 18	60	52	375	200
65	290	290	185	145	109	4	22	8- ϕ 18	75	63	410	200
80	310	310	200	160	120	4	24	8- ϕ 18	91	78	435	300
100	350	350	235	190	149	4.5	24	8- ϕ 22	117	102	480	320
125	400	400	270	220	175	4.5	26	8- ϕ 26	144	128	590	320
150	480	480	300	250	203	4.5	28	8- ϕ 26	172	154	610	400
200	600	600	375	320	259	4.5	34	12- ϕ 30	223	203	720	400
250	730	730	450	385	312	4.5	38	12- ϕ 33	278	255	780	450
300	850	850	515	450	363	4.5	42	16- ϕ 33	329	305	830	500
350	980	980	580	510	421	5	46	16- ϕ 36	362	337	980	550
400	1100	1100	660	585	473	5	50	16- ϕ 39	413	387	1030	600