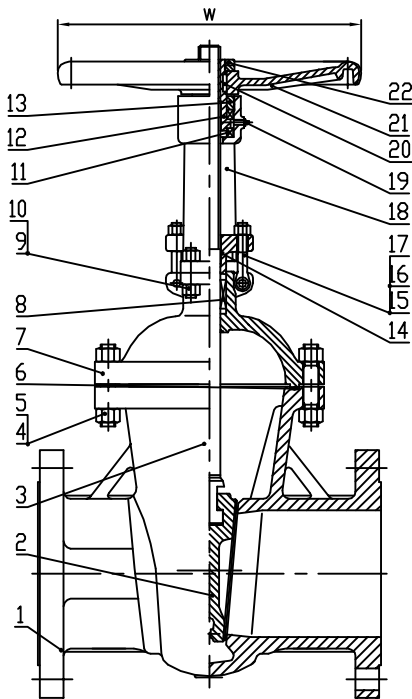


GOST GATE VALVE PN40



Standard and Specification / 标准与规范

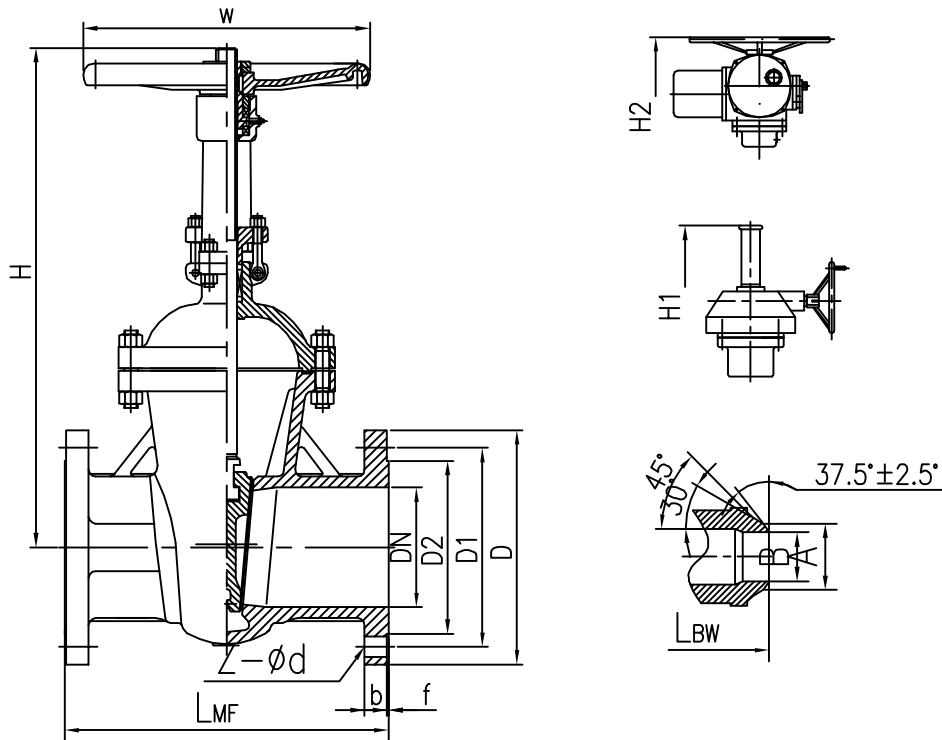
Design standard 设计标准	Face to face 结构长度	Flange connection 法兰连接	Welding connection 焊接连接	Testing standard 试验与检验	Pressure and temp 压力-温度等级
GOST	GOST	GOST	GB/T 12224	ISO5208	GB/T12224

Performance specification / 性能规范

PN 公称压力(MPa)	Shell test 壳体试验(MPa)	Sealing test 密封试验(MPa)	Back seal test 上密封(MPa)	Oil seal test 气密试验(MPa)	Temperature 适用温度(℃)	Medium 适用介质
4.0	6.0	4.40	4.4	0.6	-29℃~425℃	Water, Steam, Oil, Gas, etc. / 水、蒸气、油品等

NO./序号	Name/名称	Material/材料					
		WCB+13Cr	CF8	CF8M	CF3	CF3M	LCC+STL
1	Body/阀体	WCB+13Cr	CF8	CF8M	CF3	CF3M	LCC+STL
2	Disc/阀板	WCB+13Cr	CF8	CF8M	CF3	CF3M	LCC+STL
3	Stem/阀杆	2Cr13	F304	F316	F304L	F316L	F304
4	Bolts/双头螺栓	45#	0Cr18Ni9	0Cr18Ni9	0Cr18Ni9	0Cr18Ni9	35CrMoA
5	Nuts/六角螺母	35#	0Cr18Ni9	0Cr18Ni9	0Cr18Ni9	0Cr18Ni9	45#
6	Gasket/复合垫片	304+Flexible Graphite	304+Flexible Graphite	304+Flexible Graphite	304+Flexible Graphite	304+Flexible Graphite	304+Flexible Graphite
7	Bonnet/阀盖	WCB	CF8	CF8M	CF3	CF3M	LCC
8	Packing/填料	Graphite	Graphite	Graphite	Graphite	Graphite	Graphite
9	Bolts/双头螺栓	45#	0Cr18Ni9	0Cr18Ni9	0Cr18Ni9	0Cr18Ni9	35CrMoA
10	Nuts/六角螺母	35#	0Cr18Ni9	0Cr18Ni9	0Cr18Ni9	0Cr18Ni9	45#
11	Thrust bearing/ 推力轴承	Bearing steel	Bearing steel	Bearing steel	Bearing steel	Bearing steel	Bearing steel
12	Nut/阀杆螺母	ZQAL9-4	ZQAL9-4	ZQAL9-4	ZQAL9-4	ZQAL9-4	ZQAL9-4
13	Bearing cover 轴承压盖	25#	25#	25#	25#	25#	25#
14	Packing cover 填料压盖	WCB	CF8	CF8M	CF3	CF3M	LCC
15	Pin/销轴	2Cr13	304	304	304	304	2Cr13
16	Bolts/活节螺栓	45#	0Cr18Ni9	0Cr18Ni9	0Cr18Ni9	0Cr18Ni9	45#
17	Nuts/六角螺母	35#	0Cr18Ni9	0Cr18Ni9	0Cr18Ni9	0Cr18Ni9	35#
18	Yoke/支架	WCB	CF8	CF8	CF8	CF8	WCB
19	Oil cup/注油杯	Bronze	Bronze	Bronze	Bronze	Bronze	Bronze
20	Flat key/平键	35#	304	304	304	304	35#
21	Handwheel/手轮	GGG40	GGG40	GGG40	GGG40	GGG40	GGG40
22	Lock nut/锁紧螺母	25#	25#	25#	25#	25#	25#

GOST GATE VALVE PN40



Z40 (H. Y. W) - 40 (C. P. R. I)

DN	LMF	L _{BW}	D(φ)	D1(φ)	D2(φ)	f	b	Z-φd	A	B	H	w(φ)
50	250	250	165	125	87	4	20	4-φ18	60	52	370	200
65	280	280	185	145	109	4	22	8-φ18	75	63	395	200
80	310	310	200	160	120	4	24	8-φ18	91	78	455	300
100	350	350	235	190	149	4.5	24	8-φ22	117	102	550	320
125	400	400	270	220	175	4.5	26	8-φ26	144	128	635	320
150	450	450	300	250	203	4.5	28	8-φ26	172	154	705	400
200	419	419	375	320	259	4.5	34	12-φ30	223	203	840	400
250	457	457	450	385	312	4.5	38	12-φ33	278	255	1020	450
300	502	502	515	450	363	4.5	42	16-φ33	329	305	1200	500
350	572	572	580	510	421	5	46	16-φ36	362	337	1340	550
400	610	610	660	585	473	5	50	16-φ39	413	387	1495	600
450	660	660	685	610	523	5	57	20-φ39	464	438	1585	650
500	711	711	755	670	575	5	57	20-φ42	516	489	1790	700
600	787	787	890	795	675	5	72	20-φ48	619	591	2040	800