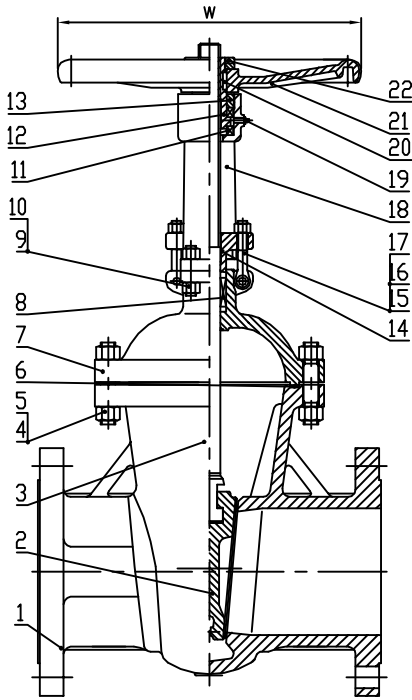


GOST GATE VALVE PN63



Standard and Specification / 标准与规范

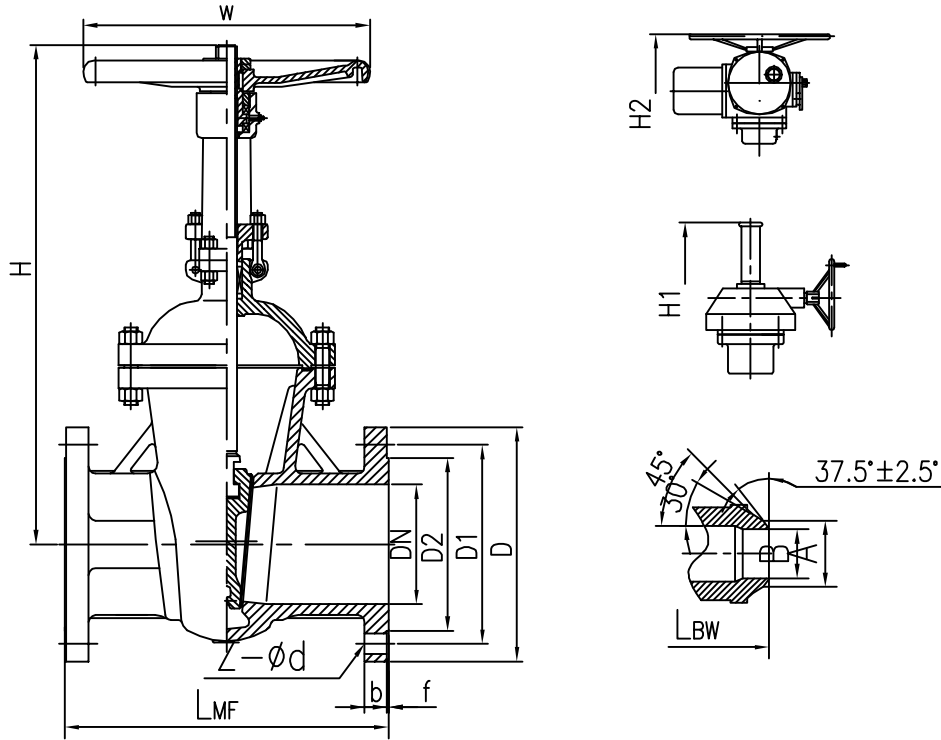
Design standard 设计标准	Face to face 结构长度	Flange connection 法兰连接	Welding connection 焊接连接	Testing standard 试验与检验	Pressure and temp 压力-温度等级
GOST	GOST	GOST	GB/T 12224	ISO5208	GB/T12224

Performance specification / 性能规范

PN 公称压力(MPa)	Shell test 壳体试验(MPa)	Sealing test 密封试验(MPa)	Back seal test 上密封(MPa)	Oil seal test 气密试验(MPa)	Temperature 适用温度(℃)	Medium 适用介质
6.3	9.5	6.90	6.90	0.6	-29℃~425℃	Water, Steam, Oil, Gas, etc. / 水、蒸气、油品等

NO./序号	Name/名称	Material/材料					
		WCB+13Cr	CF8	CF8M	CF3	CF3M	LCC+STL
1	Body/阀体	WCB+13Cr	CF8	CF8M	CF3	CF3M	LCC+STL
2	Disc/阀板	WCB+13Cr	CF8	CF8M	CF3	CF3M	LCC+STL
3	Stem/阀杆	2Cr13	F304	F316	F304L	F316L	F304
4	Bolts/双头螺栓	45#	0Cr18Ni9	0Cr18Ni9	0Cr18Ni9	0Cr18Ni9	35CrMoA
5	Nuts/六角螺母	35#	0Cr18Ni9	0Cr18Ni9	0Cr18Ni9	0Cr18Ni9	45#
6	Gasket/复合垫片	304+Flexible Graphite	304+Flexible Graphite	304+Flexible Graphite	304+Flexible Graphite	304+Flexible Graphite	304+Flexible Graphite
7	Bonnet/阀盖	WCB	CF8	CF8M	CF3	CF3M	LCC
8	Packing/填料	Graphite	Graphite	Graphite	Graphite	Graphite	Graphite
9	Bolts/双头螺栓	45#	0Cr18Ni9	0Cr18Ni9	0Cr18Ni9	0Cr18Ni9	35CrMoA
10	Nuts/六角螺母	35#	0Cr18Ni9	0Cr18Ni9	0Cr18Ni9	0Cr18Ni9	45#
11	Thrust bearing/ 推力轴承	Bearing steel	Bearing steel	Bearing steel	Bearing steel	Bearing steel	Bearing steel
12	Nut/阀杆螺母	ZQAL9-4	ZQAL9-4	ZQAL9-4	ZQAL9-4	ZQAL9-4	ZQAL9-4
13	Bearing cover 轴承压盖	25#	25#	25#	25#	25#	25#
14	Packing cover 填料压盖	WCB	CF8	CF8M	CF3	CF3M	LCC
15	Pin/销轴	2Cr13	304	304	304	304	2Cr13
16	Bolts/活节螺栓	45#	0Cr18Ni9	0Cr18Ni9	0Cr18Ni9	0Cr18Ni9	45#
17	Nuts/六角螺母	35#	0Cr18Ni9	0Cr18Ni9	0Cr18Ni9	0Cr18Ni9	35#
18	Yoke/支架	WCB	CF8	CF8	CF8	CF8	WCB
19	Oil cup/注油杯	Bronze	Bronze	Bronze	Bronze	Bronze	Bronze
20	Flat key/平键	35#	304	304	304	304	35#
21	Handwheel/手轮	GGG40	GGG40	GGG40	GGG40	GGG40	GGG40
22	Lock nut/锁紧螺母	25#	25#	25#	25#	25#	25#

GOST GATE VALVE PN63



Z40(H, Y, W)–63(C, P, R, I)

DN	LMF	LBW	D(φ)	D1(φ)	D2(φ)	f	b	Z-φd	A	B	H	w(φ)
50	250	250	180	135	87	4	26	4-φ22	60	49	370	240
65	280	280	205	160	109	4	26	8-φ22	75	63	400	240
80	310	310	215	170	120	4	28	8-φ22	91	78	460	300
100	350	350	250	200	149	4.5	30	8-φ26	117	102	555	350
125	400	400	295	240	175	4.5	34	8-φ30	144	128	640	400
150	450	450	345	280	203	4.5	36	8-φ33	172	154	720	450
200	550	550	415	345	259	4.5	42	12-φ36	223	194	875	500
250	650	650	470	400	312	4.5	46	12-φ36	278	243	1050	550
300	750	750	530	460	364	4.5	52	16-φ36	329	298	1205	600
350	850	850	600	525	421	5	56	16-φ39	362	330	1395	700
400	950	950	670	585	473	5	60	16-φ42	413	373	1650	800