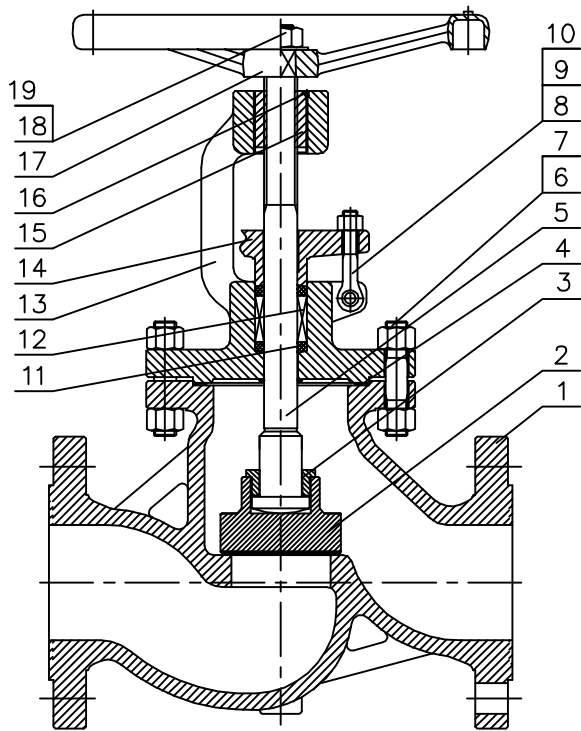


GOST GLOBE VALVE PN16

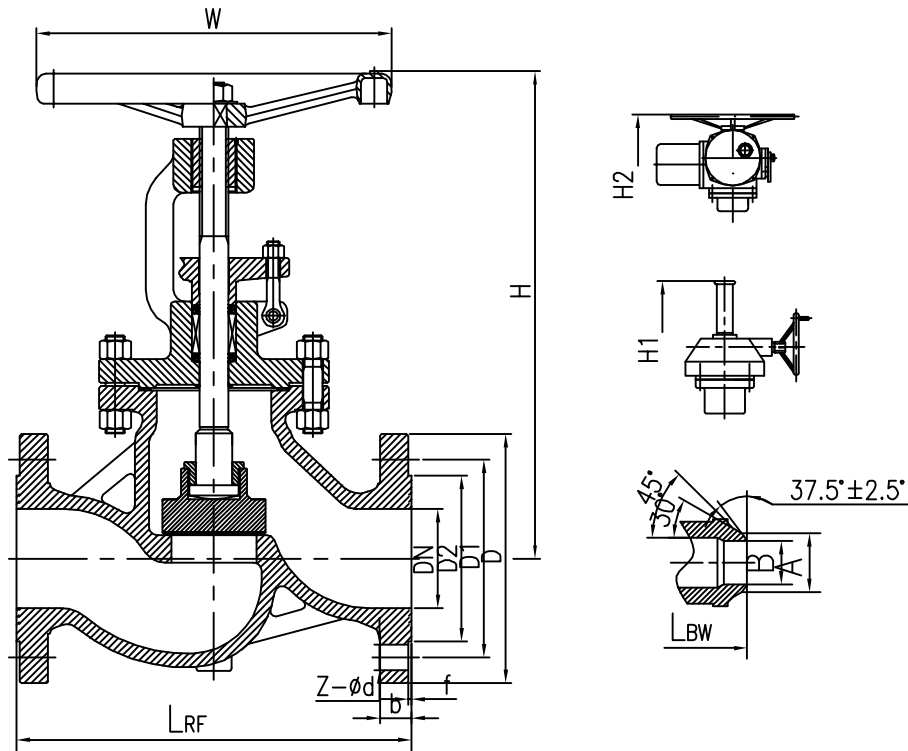


Standard and Specification / 标准与规范				
Design standard 设计标准	Face to face 结构长度	Flange connection 法兰连接	Testing standard 试验与检验	Pressure and temp. 压力-温度等级
GOST	GOST	GOST	ISO5208	GB/T12224

Performance specification / 性能规范						
PN 公称压力(MPa)	Shell test 壳体试验(MPa)	Sealing test 密封试验(MPa)	Back seal test 上密封(MPa)	Gas seal test 气密试验(MPa)	Temperature 适用温度(℃)	Medium 使用介质
1.6	2.4	1.76	1.76	0.6	-29℃~425℃	Water, steam, oil, gas, etc. / 水、蒸气、油品等

NO. 序号	Name / 名称	Material / 材料					
		WCB+13Cr	CF8	CF8M	CF3	CF3M	LCC+STL
1	Body / 阀体	WCB+13Cr	CF8	CF8M	CF3	CF3M	LCC+STL
2	Disc / 阀瓣	45+13Cr	F304	F316	F304L	F316L	45+STL
3	Disc cover / 阀瓣盖	25#	F304	F316	F304L	F316L	45#
4	Gasket / 复合垫片	304+Flexible Graphite	304+Flexible Graphite	304+Flexible Graphite	304+Flexible Graphite	304+Flexible Graphite	304+Flexible Graphite
5	Stem / 阀杆	2Cr13	F304	F316	F304L	F316L	F304
6	Bolts / 双头螺栓	45#	0Cr18Ni9	0Cr18Ni9	0Cr18Ni9	0Cr18Ni9	35CrMoA
7	Nuts / 六角螺母	35#	0Cr18Ni9	0Cr18Ni9	0Cr18Ni9	0Cr18Ni9	45#
8	Pin / 销轴	2Cr13	304	304	304	304	35CrMoA
9	Bolts / 活节螺栓	45#	0Cr18Ni9	0Cr18Ni9	0Cr18Ni9	0Cr18Ni9	45#
10	Nuts / 六角螺母	35#	0Cr18Ni9	0Cr18Ni9	0Cr18Ni9	0Cr18Ni9	45#
11	Packing / 填料	Graphite	Graphite	Graphite	Graphite	Graphite	Graphite
12	Packing / 填料	Flexible Graphite	Flexible Graphite	Flexible Graphite	Flexible Graphite	Flexible Graphite	Flexible Graphite
13	Bonnet / 阀盖	WCB	CF8	CF8M	CF3	CF3M	LCC
14	Packing cover / 填料压盖	WCB	CF8	CF8M	CF3	CF3M	LCC
15	Nut / 阀杆螺母	ZQAL9-4	ZQAL9-4	ZQAL9-4	ZQAL9-4	ZQAL9-4	ZQAL9-4
16	Lock nut / 锁定螺母	25#	25#	25#	25#	25#	25#
17	Handwheel / 手轮	GGG40	GGG40	GGG40	GGG40	GGG40	GGG40
18	Gasket / 垫片	Q235A	Q235A	Q235A	Q235A	Q235A	Q235A
19	Nuts / 六角螺母	35#	0Cr18Ni9	0Cr18Ni9	0Cr18Ni9	0Cr18Ni9	35#

GOST GLOBE VALVE PN16



J41 (H. Y. W) - 16 (C. P. R. I)

DN	LRF	LBW	D(ø)	D1(ø)	D2(ø)	f	b	Z-ød	A	B	H	w(ø)
50	230	230	165	125	99	2	20	4-ø18	60	52	350	200
65	290	290	185	145	118	2	20	4-ø18	75	63	370	200
80	310	310	200	160	132	2	20	8-ø18	91	78	400	280
100	350	350	220	180	156	2	22	8-ø18	117	102	415	300
125	400	400	250	210	184	2	22	8-ø18	144	128	460	320
150	480	480	285	240	211	2	24	8-ø22	172	154	510	360
200	600	600	340	295	266	2	24	12-ø22	223	203	710	400
250	730	730	405	355	319	2	26	12-ø26	278	255	785	450
300	850	850	460	410	370	2	28	12-ø26	329	305	925	500
350	980	980	520	470	429	2	30	16-ø26	362	337	980	550
400	1100	1100	580	525	480	2	32	16-ø30	413	387	1030	600