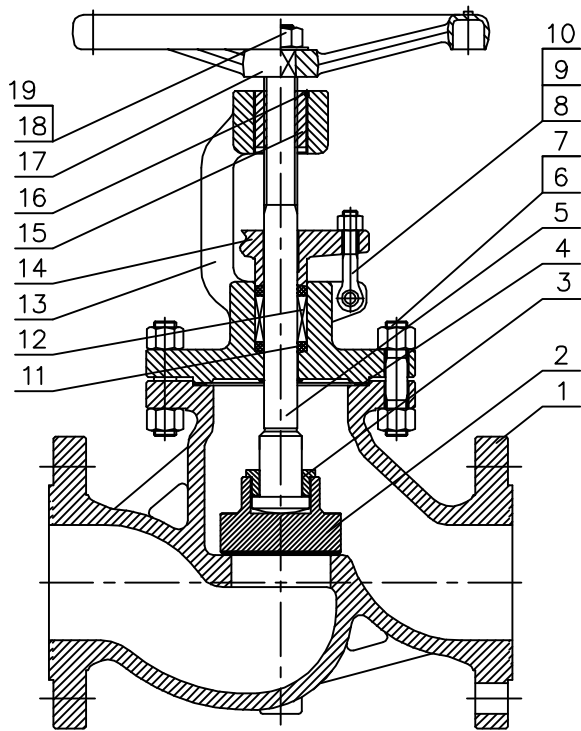


GOST GLOBE VALVE PN25

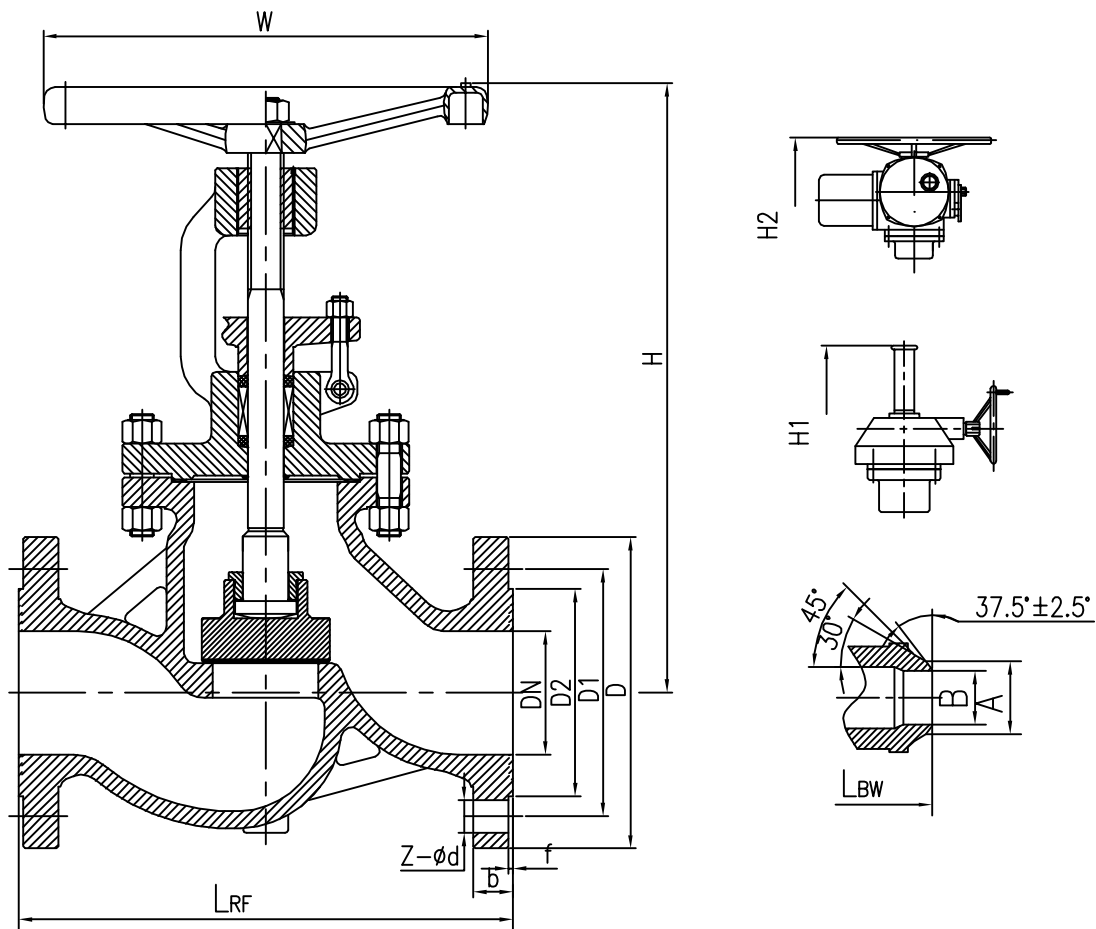


Standard and Specification / 标准与规范				
Design standard 设计标准	Face to face 结构长度	Flange connection 法兰连接	Testing standard 试验与检验	Pressure and temp. 压力-温度等级
GOST	GOST	GOST	ISO5208	GB/T12224

Performance specification / 性能规范						
PN 公称压力(MPa)	Shell test 壳体试验(MPa)	Sealing test 密封试验(MPa)	Back seal test 上密封(MPa)	Gas seal test 气密试验(MPa)	Temperature 适用温度(℃)	Medium 使用介质
2.5	3.8	2.75	2.75	0.6	-29℃~425℃	Water, steam, oil, gas, etc. / 水、蒸汽、油品等

NO. 序号	Name / 名称	Material / 材料					
		WCB+13Cr	CF8	CF8M	CF3	CF3M	LCC+STL
1	Body / 阀体	WCB+13Cr	CF8	CF8M	CF3	CF3M	LCC+STL
2	Disc / 阀瓣	45+13Cr	F304	F316	F304L	F316L	45+STL
3	Disc cover / 阀瓣盖	25#	F304	F316	F304L	F316L	45#
4	Gasket / 复合垫片	304+Flexible Graphite	304+Flexible Graphite	304+Flexible Graphite	304+Flexible Graphite	304+Flexible Graphite	304+Flexible Graphite
5	Stem / 阀杆	2Cr13	F304	F316	F304L	F316L	F304
6	Bolts / 双头螺栓	45#	0Cr18Ni9	0Cr18Ni9	0Cr18Ni9	0Cr18Ni9	35CrMoA
7	Nuts / 六角螺母	35#	0Cr18Ni9	0Cr18Ni9	0Cr18Ni9	0Cr18Ni9	45#
8	Pin / 销轴	2Cr13	304	304	304	304	35CrMoA
9	Bolts / 活节螺栓	45#	0Cr18Ni9	0Cr18Ni9	0Cr18Ni9	0Cr18Ni9	45#
10	Nuts / 六角螺母	35#	0Cr18Ni9	0Cr18Ni9	0Cr18Ni9	0Cr18Ni9	45#
11	Packing / 填料	Graphite	Graphite	Graphite	Graphite	Graphite	Graphite
12	Packing / 填料	Flexible Graphite	Flexible Graphite	Flexible Graphite	Flexible Graphite	Flexible Graphite	Flexible Graphite
13	Bonnet / 阀盖	WCB	CF8	CF8M	CF3	CF3M	LCC
14	Packing cover / 填料压盖	WCB	CF8	CF8M	CF3	CF3M	LCC
15	Nut / 阀杆螺母	ZQAL9-4	ZQAL9-4	ZQAL9-4	ZQAL9-4	ZQAL9-4	ZQAL9-4
16	Lock nut / 锁定螺母	25#	25#	25#	25#	25#	25#
17	Handwheel / 手轮	GGG40	GGG40	GGG40	GGG40	GGG40	GGG40
18	Gasket / 垫片	Q235A	Q235A	Q235A	Q235A	Q235A	Q235A
19	Nuts / 六角螺母	35#	0Cr18Ni9	0Cr18Ni9	0Cr18Ni9	0Cr18Ni9	35#

GOST GLOBE VALVE PN25



J41 (H, Y, W) - 25 (C, P, R, I)

DN	L _{RF}	L _{BW}	D(φ)	D1(φ)	D2(φ)	f	b	Z-φd	A	B	H	w(φ)
50	230	230	165	125	99	2	20	4-φ18	60	52	350	200
65	290	290	185	145	118	2	22	8-φ18	75	63	400	200
80	310	310	200	160	132	2	24	8-φ18	91	78	355	280
100	350	350	235	190	156	2	24	8-φ22	117	102	415	300
125	400	400	270	220	184	2	26	8-φ26	144	128	460	320
150	480	480	300	250	211	2	28	8-φ26	172	154	510	360
200	600	600	360	310	274	2	30	12-φ26	223	203	710	400
250	730	730	425	370	330	2	32	12-φ30	278	255	785	450
300	850	850	485	430	389	2	34	16-φ30	329	305	925	500
350	980	980	555	490	448	2	38	16-φ33	362	337	980	550
400	1100	1100	620	550	503	2	40	16-φ36	413	387	1035	600