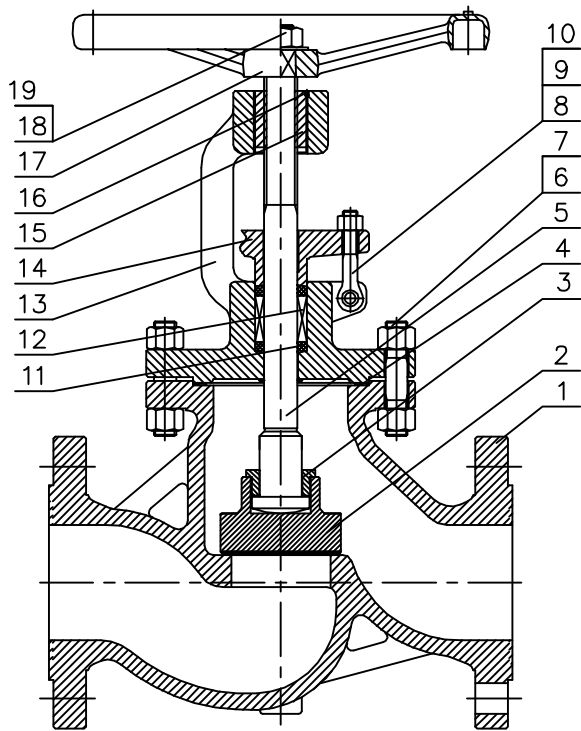


GOST GLOBE VALVE PN40

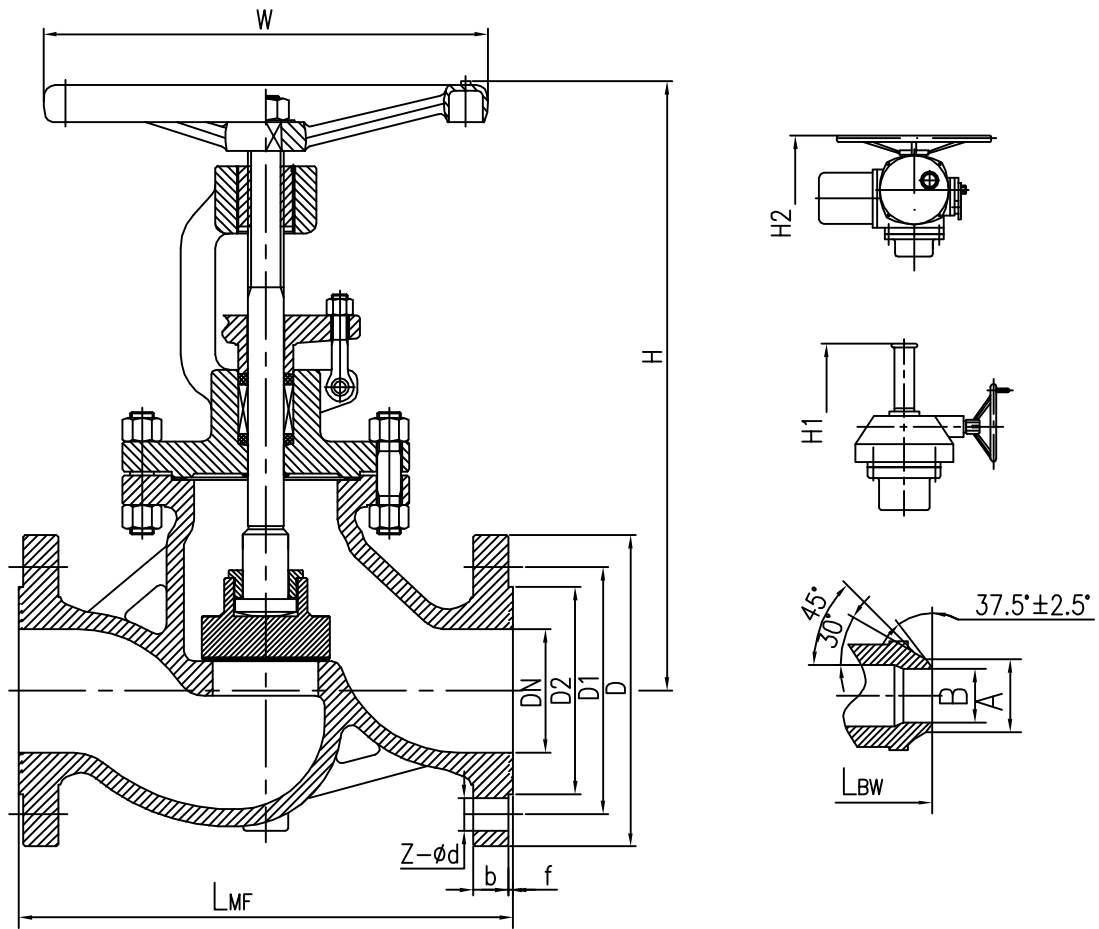


Standard and Specification / 标准与规范				
Design standard 设计标准	Face to face 结构长度	Flange connection 法兰连接	Testing standard 试验与检验	Pressure and temp. 压力-温度等级
GOST	GOST	GOST	ISO5208	GB/T12224

Performance specification / 性能规范						
PN 公称压力(MPa)	Shell test 壳体试验(MPa)	Sealing test 密封试验(MPa)	Back seal test 上密封(MPa)	Gas seal test 气密试验(MPa)	Temperature 适用温度(℃)	Medium 使用介质
4.0	6.0	4.40	4.4	0.6	-29℃~425℃	Water, steam, oil, gas, etc./水、蒸气、油品等

NO. 序号	Name/名称	Material/材料					
		WCB+13Cr	CF8	CF8M	CF3	CF3M	LCC+STL
1	Body/阀体	WCB+13Cr	CF8	CF8M	CF3	CF3M	LCC+STL
2	Disc/阀瓣	45+13Cr	F304	F316	F304L	F316L	45+STL
3	Disc cover/阀瓣盖	25#	F304	F316	F304L	F316L	45#
4	Gasket/复合垫片	304+Flexible Graphite	304+Flexible Graphite	304+Flexible Graphite	304+Flexible Graphite	304+Flexible Graphite	304+Flexible Graphite
5	Stem/阀杆	2Cr13	F304	F316	F304L	F316L	F304
6	Bolts/双头螺栓	45#	0Cr18Ni9	0Cr18Ni9	0Cr18Ni9	0Cr18Ni9	35CrMoA
7	Nuts/六角螺母	35#	0Cr18Ni9	0Cr18Ni9	0Cr18Ni9	0Cr18Ni9	45#
8	Pin/销轴	2Cr13	304	304	304	304	35CrMoA
9	Bolts/活节螺栓	45#	0Cr18Ni9	0Cr18Ni9	0Cr18Ni9	0Cr18Ni9	45#
10	Nuts/六角螺母	35#	0Cr18Ni9	0Cr18Ni9	0Cr18Ni9	0Cr18Ni9	45#
11	Packing/填料	Graphite	Graphite	Graphite	Graphite	Graphite	Graphite
12	Packing/填料	Flexible Graphite	Flexible Graphite	Flexible Graphite	Flexible Graphite	Flexible Graphite	Flexible Graphite
13	Bonnet/阀盖	WCB	CF8	CF8M	CF3	CF3M	LCC
14	Packing cover/填料压盖	WCB	CF8	CF8M	CF3	CF3M	LCC
15	Nut/阀杆螺母	ZQAL9-4	ZQAL9-4	ZQAL9-4	ZQAL9-4	ZQAL9-4	ZQAL9-4
16	Lock nut/锁定螺母	25#	25#	25#	25#	25#	25#
17	Handwheel/手轮	GGG40	GGG40	GGG40	GGG40	GGG40	GGG40
18	Gasket/垫片	Q235A	Q235A	Q235A	Q235A	Q235A	Q235A
19	Nuts/六角螺母	35#	0Cr18Ni9	0Cr18Ni9	0Cr18Ni9	0Cr18Ni9	35#

GOST GLOBE VALVE PN40



J41 (H, Y, W) - 40 (C, P, R, I)

DN	LMF	LBW	D(φ)	D1(φ)	D2(φ)	f	b	Z-φd	A	B	H	w(φ)
50	230	230	165	125	87	4	20	4-φ18	60	52	375	200
65	290	290	185	145	109	4	22	8-φ18	75	63	410	200
80	310	310	200	160	120	4	24	8-φ18	91	78	435	300
100	350	350	235	190	149	4.5	24	8-φ22	117	102	480	320
125	400	400	270	220	175	4.5	26	8-φ26	144	128	590	320
150	480	480	300	250	203	4.5	28	8-φ26	172	154	610	400
200	600	600	375	320	259	4.5	34	12-φ30	223	203	720	400
250	730	730	450	385	312	4.5	38	12-φ33	278	255	780	450
300	850	850	515	450	363	4.5	42	16-φ33	329	305	830	500
350	980	980	580	510	421	5	46	16-φ36	362	337	980	550
400	1100	1100	660	585	473	5	50	16-φ39	413	387	1030	600