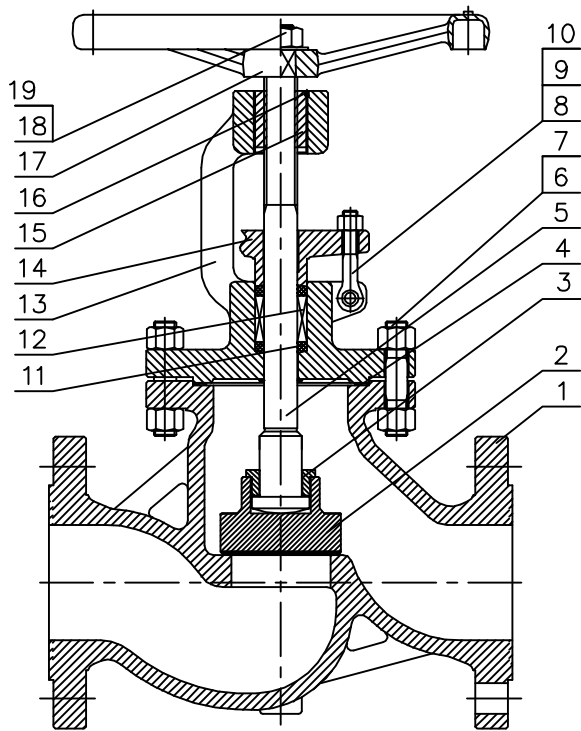


GOST GLOBE VALVE PN63

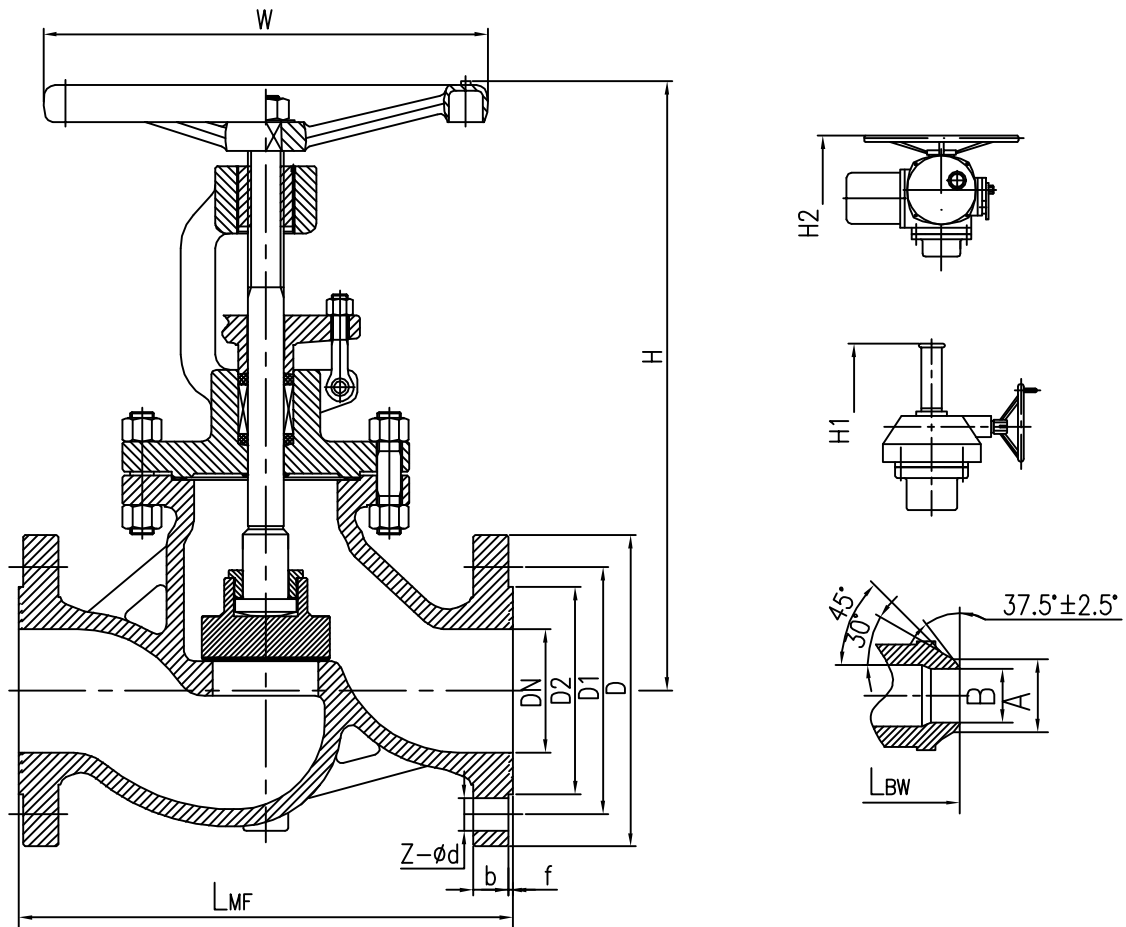


Standard and Specification / 标准与规范				
Design standard 设计标准	Face to face 结构长度	Flange connection 法兰连接	Testing standard 试验与检验	Pressure and temp. 压力-温度等级
GOST	GOST	GOST	ISO5208	GB/T12224

Performance specification / 性能规范						
PN 公称压力(MPa)	Shell test 壳体试验(MPa)	Sealing test 密封试验(MPa)	Back seal test 上密封(MPa)	Gas seal test 气密试验(MPa)	Temperature 适用温度(℃)	Medium 使用介质
6.3	9.5	6.90	6.90	0.6	-29℃~425℃	Water, steam, oil, gas, etc./水、蒸气、油品等

NO. 序号	Name/名称	Material/材料					
		WCB+13Cr	CF8	CF8M	CF3	CF3M	LCC+STL
1	Body/阀体	WCB+13Cr	CF8	CF8M	CF3	CF3M	LCC+STL
2	Disc/阀瓣	45+13Cr	F304	F316	F304L	F316L	45+STL
3	Disc cover/阀瓣盖	25#	F304	F316	F304L	F316L	45#
4	Gasket/复合垫片	304+Flexible Graphite	304+Flexible Graphite	304+Flexible Graphite	304+Flexible Graphite	304+Flexible Graphite	304+Flexible Graphite
5	Stem/阀杆	2Cr13	F304	F316	F304L	F316L	F304
6	Bolts/双头螺栓	45#	0Cr18Ni9	0Cr18Ni9	0Cr18Ni9	0Cr18Ni9	35CrMoA
7	Nuts/六角螺母	35#	0Cr18Ni9	0Cr18Ni9	0Cr18Ni9	0Cr18Ni9	45#
8	Pin/销轴	2Cr13	304	304	304	304	35CrMoA
9	Bolts/活节螺栓	45#	0Cr18Ni9	0Cr18Ni9	0Cr18Ni9	0Cr18Ni9	45#
10	Nuts/六角螺母	35#	0Cr18Ni9	0Cr18Ni9	0Cr18Ni9	0Cr18Ni9	45#
11	Packing/填料	Graphite	Graphite	Graphite	Graphite	Graphite	Graphite
12	Packing/填料	Flexible Graphite	Flexible Graphite	Flexible Graphite	Flexible Graphite	Flexible Graphite	Flexible Graphite
13	Bonnet/阀盖	WCB	CF8	CF8M	CF3	CF3M	LCC
14	Packing cover/填料压盖	WCB	CF8	CF8M	CF3	CF3M	LCC
15	Nut/阀杆螺母	ZQAL9-4	ZQAL9-4	ZQAL9-4	ZQAL9-4	ZQAL9-4	ZQAL9-4
16	Lock nut/锁定螺母	25#	25#	25#	25#	25#	25#
17	Handwheel/手轮	GGG40	GGG40	GGG40	GGG40	GGG40	GGG40
18	Gasket/垫片	Q235A	Q235A	Q235A	Q235A	Q235A	Q235A
19	Nuts/六角螺母	35#	0Cr18Ni9	0Cr18Ni9	0Cr18Ni9	0Cr18Ni9	35#

GOST GLOBE VALVE PN63



J41(H.Y.W)-63(C.P.R.I)

DN	LMF	LBW	D(φ)	D1(φ)	D2(φ)	f	b	Z-φd	A	B	H	w(φ)
50	300	300	180	135	87	4	26	4-φ22	60	49	410	240
65	340	340	205	160	109	4	26	8-φ22	75	63	450	240
80	380	380	215	170	120	4	28	8-φ22	91	78	485	300
100	430	430	250	200	149	4.5	30	8-φ26	117	102	540	350
125	500	500	295	240	175	4.5	34	8-φ30	144	128	630	400
150	550	550	345	280	203	4.5	36	8-φ33	172	154	645	450
200	650	650	415	345	259	4.5	42	12-φ36	223	194	815	500
250	775	775	470	400	312	4.5	46	12-φ36	278	243	870	550
300	900	900	530	460	364	4.5	52	16-φ36	329	298	920	600