

# Ball Valve

2-PC Stainless Steel Ball Valve  
Full Port, Flange Ends, 150LBS, 300LBS (ISO Mounting Pad)

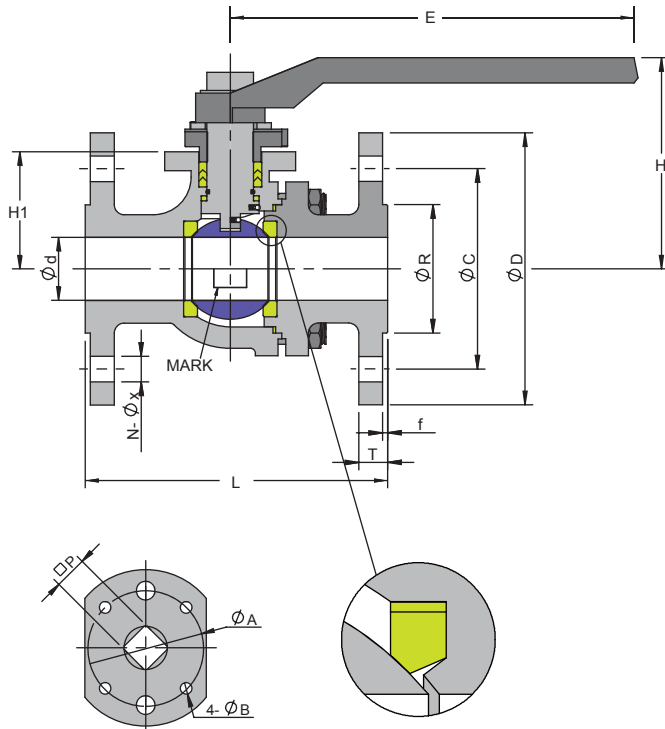
## FEATURES:

- Blow-out Proof Stem
- Anti-Static Device for Ball-Stem-Body
- Pressure Balance Hole in Ball Slot
- 2 Belleville Washer to Self-adjust Packing
- ISO 5211 Mounting Pad for Easy Automation
- Fire Safe Design Available

## STANDARD:

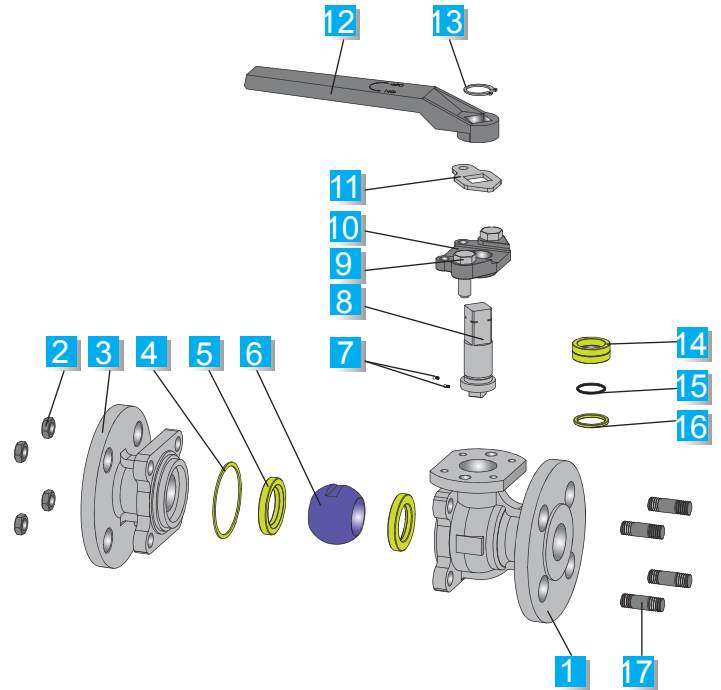
- Design: ASME 16.34 API 608
- Wall Thickness: ASME B16.34, EN12516-3
- Flange Ends: ASME 16.5
- **Fire Safe** Design Acc: API 607
- Inspection & Testing: API 598, EN 12266
- Face to Face ACC: ASME 16.34
- Inspection and Testing: API 598, API 6D

NO.	PARTS NAME	MATERIAL		
1	Body	CF8M	CF8	WCB
2	Nut		SS304	
3	Cap	CF8M	CF8	WCB
4	Cap Gasket		PTFE	
5	Ball Seat	PTFE	R-PTFE	
6	Ball	CF8M	CF8	
7	Anti-Static Device		SS304	
8	Stem	SS304	SS316	
9	Bolt		SS304	
10	Stop Gland	CF8M	CF8	
11	Locking Device		SS304	
12	Handle		CF8	
13	Position Washer		SS304	
14	Stem Packing	PTFE	R-PTFE	
15	O-Ring		VITON(FKM)	
16	Thrust Washer		PTFE	
17	Bolt		SS304	



ISO-5211 Mounting Pad

Fire Safe Design



Unit:mm ■ ASME 150/300

Size	Pressure(LBS)	L	Ød	ØR	ØC	ØD	H	H1	E	T	f	N	Øx	□P	ØA	ØB	ISO 5211
1/2"	150	108	15	35	60.5	89	88	37	180	9.7	2	4	16	6	42	M5	F4
	300	140			66.5	95.3				14.3							
3/4"	150	117	20	43	70	98.6	88	40	180	10.5	2	4	16	6	42	M5	F4
	300	152			82.6	117.4				15.9							
1"	150	127	25	51	79	108	95	45	200	11.2	2	4	16	9	50	M6	F5
	300	165			88.9	124				17.5							
1-1/4"	150	140	32	63.5	89	117	95	50	200	12.7	2	4	16	9	50	M6	F5
	300	175			98.6	133.4				19.1							
1-1/2"	150	165	38	73.2	98.6	127	110	62	240	14.2	2	4	16	10	70	M8	F7
	300	190			114.3	155.5				20.7							
2"	150	178	50	92	120.7	152.5	110	71	240	15.9	2	4	19	10	70	M8	F7
	300	215			127	165.1				22.3							
2-1/2"	150	190	65	104.7	139.7	177.8	120	89	280	17.5	2	4	19	16	102	M10	F10
	300	240			149.4	190.5				25.4							
3"	150	203	76	127	152.4	190.5	—	100	—	19.1	2	4	19	16	102	M10	F10
	300	280			168	209.6				28.6							
4"	150	230	100	157	190.5	228.6	—	123	—	23.9	2	8	19	18	102	M10	F10
	300	305			200	254				31.8							