

Ball Valve

3-PC Stainless Steel Ball Valve Full Port, 1000WOG, PN16/40 (ISO 5211 Mounting Pad)

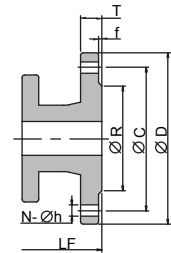
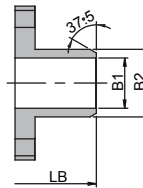
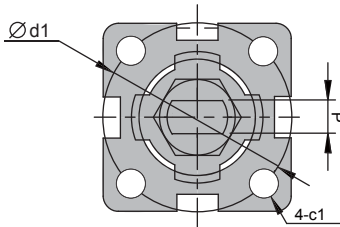
FEATURES:

- Blow-out Proof Stem
- Anti-Static Device for Ball-Stem-Body
- Pressure Balance Hole in Ball Slot
- Stem Stop Nut Instead of Belleville Washer for Long Life
- ISO 5211 Mounting Pad for Easy Automation
- Locking Device Spring Handle, **New Design**

STANDARD:

- Design: ASME B16.34, API 608
- Wall Thickness: EN12516-3
- Pipe Thread: ASME B1.20.1, BS21
DIN 2999/259 ISO228/1
JIS B0203 ISO 7/1
- Butt-Weld: ASME B16.25(SCH 10,20,40)
- Socket Weld: ASME B16.11
- Flange End: ASME B16.5 CLASS 150/300
DIN 2653 PN10-PN40
JIS B2238 10K/20K
- Inspection & Testing: API 598, EN 12266

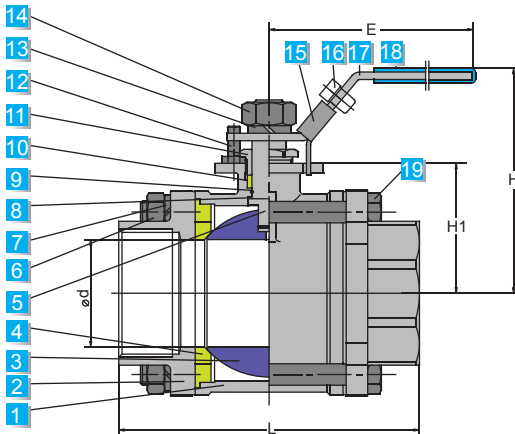
NO.	PART NAME	MATERIAL		
1	Body	CF8M	CF8	WCB
2	Cap	CF8M	CF8	WCB
3	Ball	CF8M	CF8	
4	Ball Seat	PTFE	RTFE	PEEK
5	Stem	SUS 316	SUS 304	
6	Nut	A193-B8		
7	Spring Washer	SUS 304		
8	Thrust Washer	PTFE		
9	O-Ring	VITON	FKM	
10	Stem Packing	PTFE		
11	Stop Nut	SUS 304		
12	Position Pin	SUS 304		
13	Spring Washer	SUS 304		
14	Stem Nut	A193-B8		
15	Locking Device	SUS 304		
16	Pin	Plastic		
17	Handle	SUS 304		
18	Handle Cover	Plastic		
19	Bolt	SUS 304		



Butt Welding End

Socket End

Flange End PN10/40



Unit:mm

Size	Ød	L	LB	LF	H	H1	E	R	C	D	N	h	L1	S	B1	B2	P	c1	c2	d1	d2
1/4"	10.5	65	68	-	75	29	125	-	-	-	-	-	10	14	9.3	18	6	6	6	42	36
3/8"	12.5	65	68	-	75	29	125	-	-	-	-	-	10	18	13	18	6	6	6	42	36
1/2"	15.0	70	70	130	780	35	125	45	65	95	4	14	10	21	16	22	6	6	6	42	36
3/4"	20.0	76	85	150	85	37	135	58	75	105	4	14	14	27	21	28	6	7	6	50	36
1"	25.0	88	100	160	100	45	165	68	85	115	4	14	14	34	27	34	9	7	6	50	42
1-1/4"	32.0	105	105	180	100	50	165	78	100	140	4	18	16	43	35	43	9	9	6	50	42
1-1/2"	38.0	115	118	200	115	61	185	88	110	150	4	18	16	49	41	50	9	9	7	70	50
2"	50.0	138	145	230	120	69	185	102	125	165	4	18	17	61	53	61	9	9	7	70	50
2-1/2"	64.0	175	180	290	135	88	220	122	145	185	8	18	17	74	63	76	16	11	9	102	70
3"	78.0	195	213	310	149	96	220	138	160	200	8	18	17	90	78	90	16	11	9	102	70