

Ball Valve

3PC Ball Valve, Flange End, 150LB, PN16-40

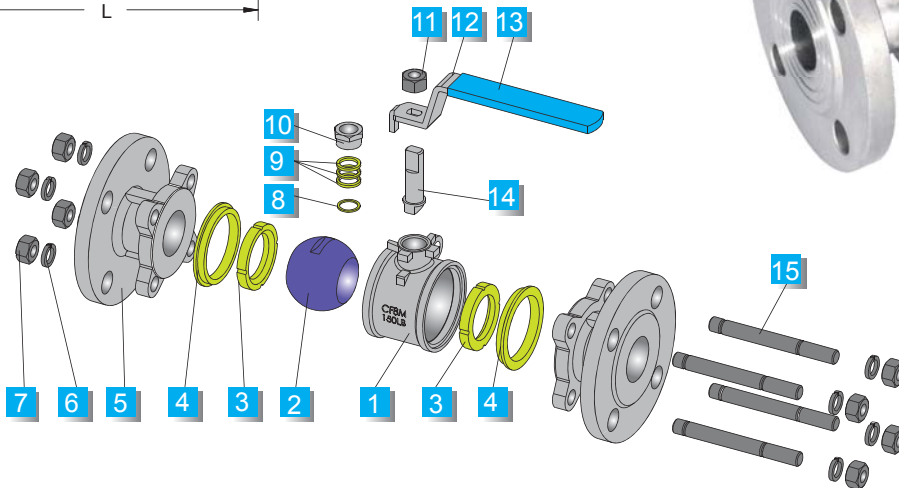
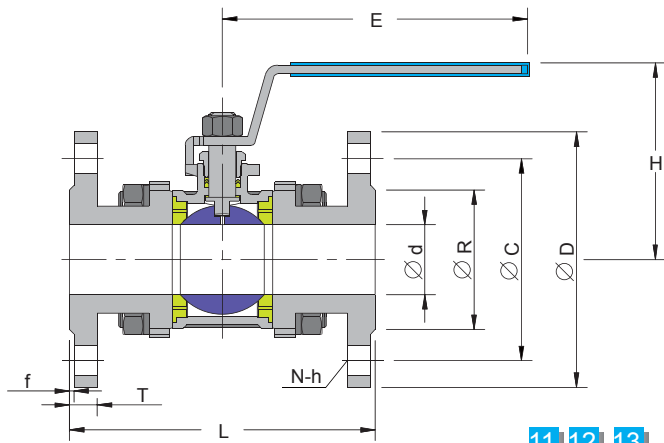
FEATURES:

- Blow-out Proof Stem
- Investment Casting Body
- Pressure Balance Hole in Ball Slot
- Full Port
- Various Flange Standard Available
- Locking Device Available

STANDARD:

- Design: ASME B16.34
- Wall Thickness: ASME B16.34
- Flange Standard: ASME 16.5
DIN PN16-40
JIS 10K/20K
- Face to Face Acc: ASME B16.10, DIN 3202-F1
- Inspection & testing: API 598

| NO. | PART NAME | MATERIAL | | |
|-----|---------------|----------|-------|------|
| | | CF8M | CF8 | WCB |
| 1 | Body | CF8M | CF8 | WCB |
| 2 | Ball | CF8M | CF8 | |
| 3 | Ball Seat | PTFE | RTFE | PEEK |
| 4 | Gasket | PTFE | | |
| 5 | Cap | CF8M | CF8 | WCB |
| 6 | Spring Washer | SS304 | | |
| 7 | Nut | A194-8 | | |
| 8 | Thrust Washer | PTFE | | |
| 9 | Stem Packing | PTFE | | |
| 10 | Stop Nut | SUS 304 | | |
| 11 | Stem Nut | A193-B8 | | |
| 12 | Handle | SS304 | | |
| 13 | Handle Cover | Plastic | | |
| 14 | Stem | SS316 | SS304 | |
| 15 | Bolt | SS304 | | |



Unit:mm

| Size | L | | ød | øC | | øR | øD | | H | E | T | | f | N | | h | |
|--------|-------|-------|-----|-------|-------|-------|-------|-------|-----|-----|-------|-------|---|-------|-------|-------|-------|
| | 150LB | 300LB | | 150LB | 300LB | | 150LB | 300LB | | | 150LB | 300LB | | 150LB | 300LB | 150LB | 300LB |
| 1/2" | 108 | 140 | 15 | 60.5 | 66.5 | 35 | 89 | 95.3 | 83 | 120 | 9.7 | 14.3 | 2 | 4 | 4 | 16 | 16 |
| 3/4" | 117 | 152 | 20 | 70 | 82.6 | 43 | 98.6 | 118 | 85 | 120 | 10.5 | 15.9 | 2 | 4 | 4 | 16 | 19 |
| 1" | 127 | 165 | 25 | 79.2 | 88.9 | 51 | 108 | 124 | 85 | 160 | 11.2 | 17.5 | 2 | 4 | 4 | 16 | 19 |
| 1-1/4" | 140 | 179 | 32 | 88.9 | 98.6 | 63.5 | 117 | 133.5 | 95 | 160 | 12.7 | 19.1 | 3 | 4 | 4 | 16 | 19 |
| 1-1/2" | 165 | 190 | 40 | 98.6 | 114.3 | 73.2 | 127 | 155.5 | 100 | 205 | 14.2 | 20.7 | 3 | 4 | 4 | 16 | 22.3 |
| 2" | 178 | 216 | 50 | 120.7 | 127 | 92 | 152.5 | 165 | 110 | 205 | 15.9 | 22.3 | 3 | 4 | 8 | 19 | 19 |
| 2-1/2" | 190 | 240 | 65 | 139.7 | 150 | 104.7 | 178 | 191 | 120 | 250 | 17.5 | 25.5 | 3 | 4 | 8 | 19 | 22.3 |
| 3" | 203 | 282 | 80 | 152.4 | 168 | 127 | 190.5 | 210 | 135 | 250 | 19.1 | 28.6 | 3 | 4 | 8 | 19 | 22.3 |
| 4" | 230 | 305 | 100 | 190.5 | 200 | 157.2 | 228.5 | 254 | 145 | 350 | 23.9 | 31.8 | 3 | 8 | 8 | 19 | 22.3 |