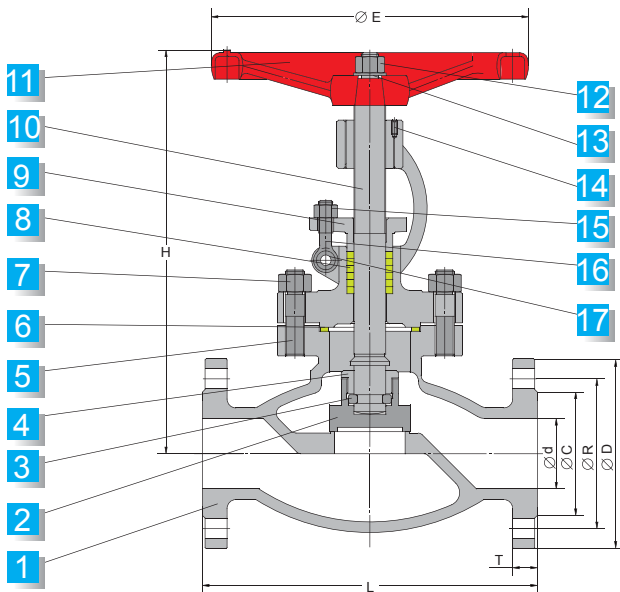


### FEATURES:

- Metal Seal
- Flange Standard:JIS B2239/ANSI B16.5
- Class 150LB/10K
- Investment Casting Body
- Wheel Handle Operate
- Testing & Inspection:API 598
- Design Standard:ANSI B16.34
- Face to Face:JIS B2002/ANSI B16.10



NO.	PART NAME	MATERIAL	
1	Body	CF8M	CF8
2	Disc	CF8M	CF8
3	Half Ring	SUS 304	
4	Disc Cover	CF8M	CF8
5	Bolt	A193-B8	
6	Gasket	PTFE	
7	Nut	A193-B8	
8	Stem Packing	PTFE	
9	Bonnet	CF8M	CF8
10	Stem	SUS 316	SUS 304
11	Wheel Handle	FCD	
12	Stem Nut	A193-B8	
13	Washer	SUS 301	
14	Small Bolt	SUS 301	
15	Nut	A193-B8	
16	Eye Bolt	SUS 304	
17	Locking Pin	SUS 304	

Unit:mm 10K/150LB

Size	L	ød	H	øE	øC		øR		øD		T	
					10K	150LB	10K	150LB	10K	150LB	10K	150LB
1/2"	108	15	180	140	51	35	70	60.5	95	89	12	12.1
3/4"	117	20	190	140	56	43	75	70	100	98	14	12.1
1"	127	25	200	140	67	51	90	79.5	125	108	14	12.1
1-1/4"	140	32	245	160	76	64	100	89	135	117	16	12.7
1-1/2"	165	40	250	160	81	73	105	98.5	140	127	16	14.3
2"	203	50	260	200	96	92	120	120.5	155	152	16	15.9
2-1/2"	216	65	315	200	116	105	140	139.5	175	178	18	17.5
3"	241	80	330	250	126	127	150	152.5	185	190	18	19.1
4"	292	100	395	250	151	157	175	190.5	210	229	18	23.9
5"	356	125	450	300	182	186	210	216	250	254	20	23.9
6"	406	150	540	350	212	216	240	241.5	280	279	22	25.4
8"	495	200	675	350	262	270	290	298.5	330	343	22	28.6
10"	622	250	835	400	324	324	355	362	400	406	24	30.2
12"	698	300	985	400	368	381	400	432	445	483	24	31.8