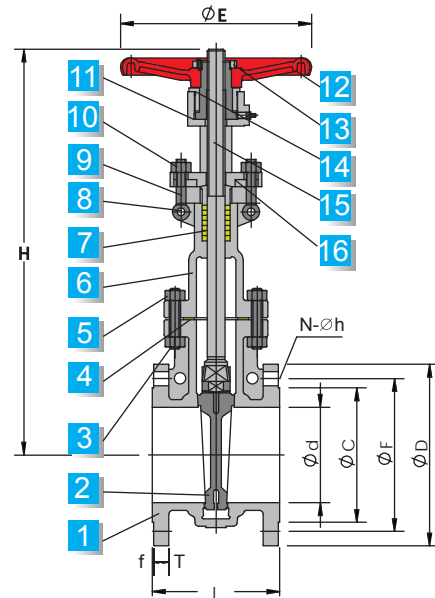


### FEATURES:

- Face to Face: JIS B2002  
ANSI B16.10
- Flange End Standard: JIS B2239  
ANSI B16.5
- Design Standard: ANSI B16.34
- Testing Standard: API 598
- Investment Casting Body and Cap



NO.	PART NAME	MATERIAL	
1	Body	CF8M	CF8
2	Disc	CF8M	CF8
3	Nut	193-B8	
4	Gasket	PTFE	
5	Bolt	193-B8	
6	Bonnet	CF8M	CF8
7	Stem Packing	PFTE	
8	Hinge Pin	SUS304	
9	Eye Bolt	SUS304	
10	Nut	193-B8	
11	Sleeve	Brass	
12	Wheel Handle	FCD	
13	Stem Nut	SUS 304	
14	Gland	SUS304	
15	Stem	SUS 316	SUS 304
16	Gland	SUS 304	



Unit:mm

Size	ød	L	H	øE	øC		øF		øD		T		f		
					10K	150LB	10K	150LB	10K	150LB	10K	150LB	10K	150LB	
1/2"	15	15	108	180	120	51	35	70	60.5	95	89	12	12.1	1	1.6
3/4"	20	20	117	194	120	56	43	75	70	100	98	14	12.1	1	1.6
1"	25	25	127	235	120	67	51	90	79.5	125	108	14	12.1	1	1.6
1-1/4"	32	32	140	295	200	76	64	100	89	135	117	16	12.7	1	1.6
1-1/2"	40	40	165	295	200	81	73	105	98.5	140	127	16	14.3	2	1.6
2"	50	50	178	338	200	96	92	120	120.5	155	152	16	15.9	2	1.6
1-1/2"	65	65	190	393	200	116	105	140	139.5	175	178	18	17.5	2	1.6
3"	80	80	203	467	250	126	127	150	152.5	185	190	18	19.1	2	1.6
4"	100	100	229	549	250	151	157	175	190.5	210	229	18	23.9	2	1.6
5"	125	125	254	630	300	182	186	210	216	250	254	20	23.9	2	1.6
6"	150	150	267	750	300	212	216	240	241.5	280	279	22	25.4	2	1.6
8"	200	200	292	915	350	262	270	290	298.5	330	343	22	28.6	2	1.6
10"	250	250	330	1099	400	324	324	355	362	400	406	24	30.2	2	1.6
12"	300	300	356	1290	400	368	381	400	432	445	483	24	31.8	3	1.6