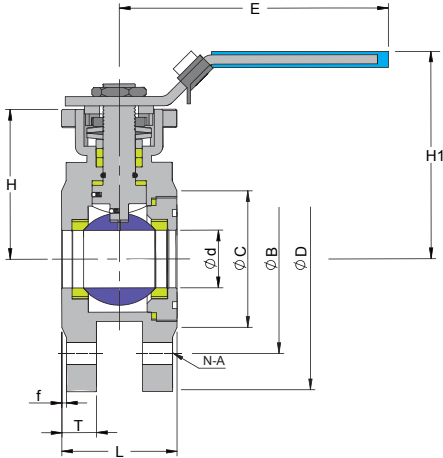


### FEATURES:

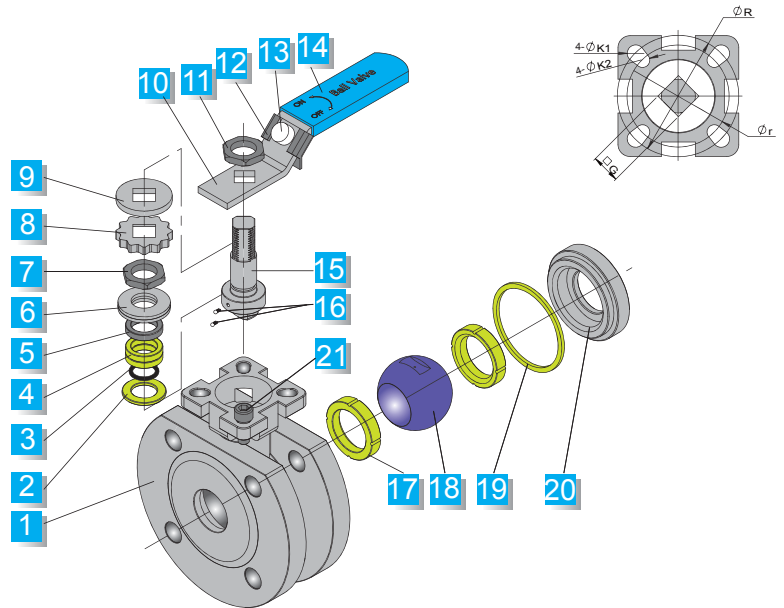
- Blow-out Proof Stem
- Anti-Static Device for Ball-Stem-Body
- Pressure Balance Hole in Ball Slot
- 2 Belleville Washer to Self-adjust Packing
- ISO 5211 Direct Mounting Pad for Easy Automation
- Locking Device Spring Handle, **New Design**
- Fire-Safe Design Available

### STANDARD:

- Design: ASME B16.34, API 608
- Wall Thickness: EN12516-1
- Flange End: ASME B16.5 CLASS 150/300  
DIN 2653 PN10-PN40  
JIS B2238 10K/20K
- Inspection & Testing: API 598, EN 12266



NO.	PART NAME	MATERIAL		
1	Body	CF8M	CF8	WCB
2	Thrust Washer	PTFE		
3	O-Ring	VITON	FKM	
4	V-Ring Packing	PTFE		
5	Gland	SUS304		
6	Belleville Washer	SUS301		
7	Stop Nut	A194-8		
8	Stop Cap	SUS301		
9	Washer	SUS304		
10	Handle	SUS304		
11	Stem Nut	A194-8		
12	Locking Device	SUS301		
13	Plastic Pin	Plastic		
14	Handle Cover	Plastic		
15	Stem	SUS316	SUS304	
16	Anti-Static Device	SUS316	SUS304	
17	Ball Seat	PTFE	RPTFE	
18	Ball	CF8M	CF8	
19	Body Gasket	PTFE		
20	Cap	CF8M	CF8	WCB
21	Position Bolt	SUS304		



Unit:mm

Size	PN	φd	L	φC	φB	φD	H	H1	E	f	T	□G	φR	φr	φK1	φK2	N	A	ISO-5211
DN15	10-40	15	42	45	65	95	46	75	105	2	9	9	42	36	6	6	4	M12	F03-F04
DN20	10-40	20	44	58	75	105	50	75	105	2	9	9	50	36	7	6	4	M12	F03-F04
DN25	10-40	25	50	68	85	115	62	85	120	2	9	11	50	42	7	6	4	M12	F04-F05
DN32	10-40	32	60	78	100	140	73	95	120	2	12	11	70	42	9	6	4	M16	F04-F05
DN40	10-40	38	65	88	110	150	78	105	165	3	13	14	70	50	9	7	4	M16	F05-F07
DN50	10-40	50	80	102	125	165	85	110	165	3	20	14	70	50	9	7	4	M16	F05-F07
DN65	10/16	64	110	122	145	185	110	135	205	3	18	17	102	70	11	9	4	M16	F07-F10
	22																		
DN80	10/16	78	120	138	159	200	115	165	205	3	20	17	102	70	11	9	8	M16	F07-F10
	24																		
DN100	10/16	98	150	158	180	220	141	-	-	3	20	22	102	-	11	-	8	M16	F10
	24		M20																
DN125	10/16	118	180	188	210	250	175	-	-	3	22	27	125	-	14	-	8	M16	F12
	26			M24															
DN150	10/16	144	225	212	240	285	193	-	-	3	22	27	125	-	14	-	8	M20	F12
	28			M24															